

QD EBAS C

QUADRATO Tap Range Quadrato Basin Mixer with Eco-Click & Pop-up



Features

- Brass construction
- Ceramic disc cartridge for smooth temperature and flow control
- Eco-click cartridge offers subtle resistance as it reaches approximately half its full flow capacity, saving water. This feature can be over-ridden for increased flow
- Easy-to-use lever handle
- Pop-up waste included

Product Certifications:

WRAS Expiry : 31/12/2021
Certificate No : 1612069



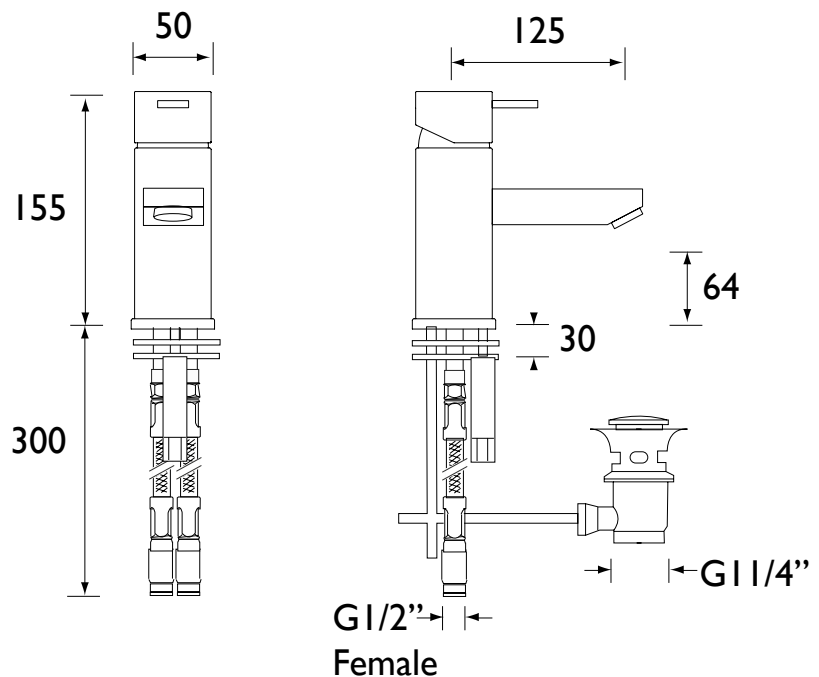
Also available from the QUADRATO Range is:



Specification

Style:	Contemporary
Product Type:	Taps
Finish/Colour:	Chrome
Main Construction Material:	Brass
Mount Type:	Deck
Handle Type:	Single Lever
Connection Inlet:	1/2" female flexible inlets
Number of Tap Holes Required:	1
Valve/Cartridge Type:	Manual
Plumbing System Suitability	All - Ideally balanced
Maximum Hot Water Temperature: °c	85
Maximum Dynamic Pressure: (bar)	8
Maximum Static Pressure: (bar)	10
Flow Type:	Single
Flow Rate: (l/min @ 3 bar)	7.6
Connection Outlet:	Flow Straightener M24
Isolation Included:	No
Check Valve Included:	No

Dimensions (measurements in mm)



Flow Rates (l/min)

System Pressure (bar)	0.5	1	2	3	5
QD EBAS C	7.6	10.6	14.9	17.3	21.5

**TECHNICAL
DATA
SHEET**

BRISTAN
TAPS & SHOWERS

D6