

QD EBASNW C

QUADRATO Tap Range Quadrato Basin Mixer with Eco-Click (no waste)

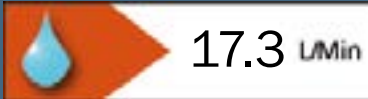


Features

- Brass construction
- Ceramic disc cartridge for smooth temperature and flow control
- Easy-to-use lever handle
- Requires minimum operating pressure 0.5 bar
- Eco-click cartridge

Product Certifications:

WRAS Expiry: 31/12/2021
Certificate No: 1612069



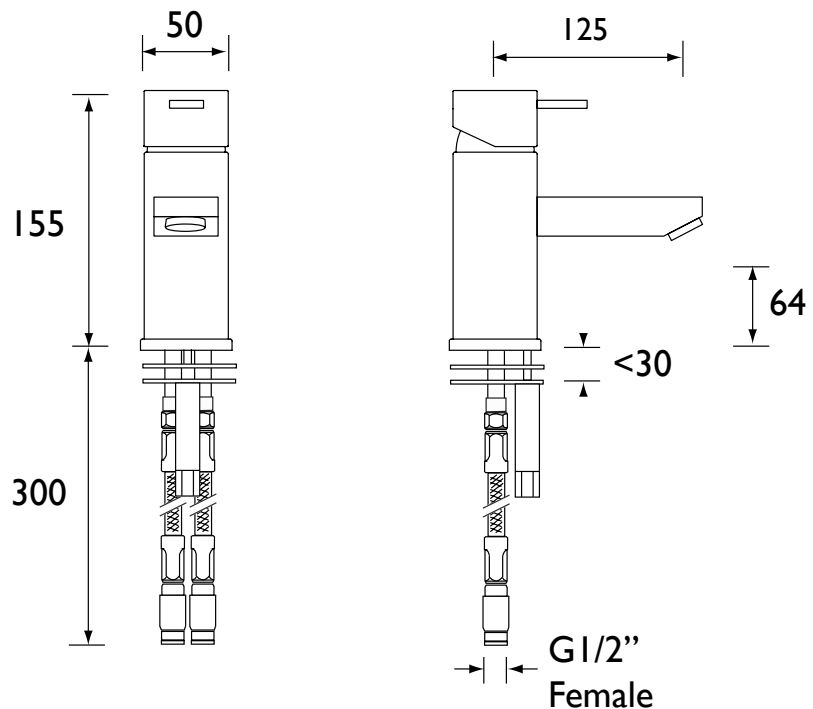
Also available from the QUADRATO Range is:



Specification

Style:	Contemporary
Product Type:	Taps
Finish/Colour:	Chrome
Main Construction Material:	Brass
Mount Type:	Deck
Handle Type:	Single Lever
Connection Inlet:	1/2" female flexible inlets
Number of Tap Holes Required:	1
Valve/Cartridge Type:	Manual
Plumbing System Suitability	All - Ideally Balanced
Maximum Hot Water Temperature: °c	85
Maximum Dynamic Pressure: (bar)	8
Maximum Static Pressure: (bar)	10
Flow Type:	Single
Flow Rate: (l/min @ 3 bar)	17.3
Connection Outlet:	Flow Straightener M24
Isolation Included:	No
Check Valve Included:	No

Dimensions (measurements in mm)



Flow Rates (l/min)

System Pressure (bar)	0.5	1	2	3	5
QD EBASNW C	7.6	10.5	14.9	17.3	21.5

TECHNICAL DATA SHEET

BRISTAN

TAPS & SHOWERS

D6