

TECHNICAL DATA SHEET

QUADRATO Small Basin Mixer

Product Specification

Product Code:	QD SMBAS C
Finish:	Chrome
Product Type:	Contemporary
Construction:	Body is of brass construction and is designed to conform to BS EN 200
Cartridge Type:	25mm Flat Cartridge
Supply:	Suitable for all plumbing systems
Inlet Connections:	½" BSP Flexible Tails
Working Pressures:	Min 0.5bar, Max 8.0bar
Dimensions for Fitting:	125 (H) mm, 45 (W) mm, 128 (D) mm

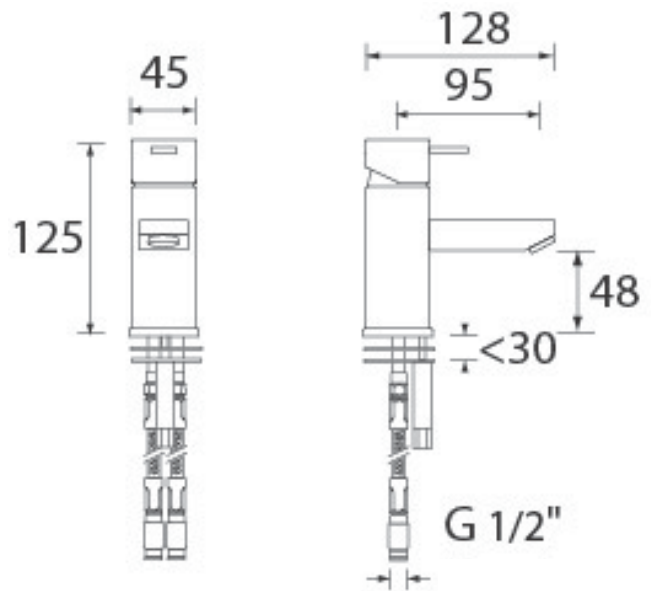


Additional Information

- Supplied with metal handle.
- Metal fixing nut.
- Chrome plated to BS EN 248.

Compliance / Approvals

WRAS: Manufactured to comply with WRAS



Flow Rates (litres per minute)

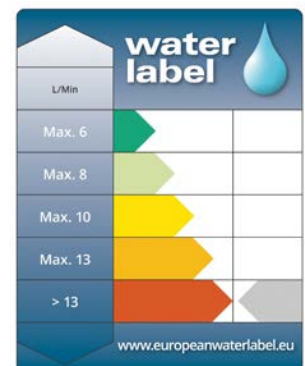
System Pressure	0.5bar	1bar	2bar	3bar	4bar	5bar
QD SMBAS C	5.6	8.3	11.9	14.1	15.9	17.4

Technical Advice:

For further information please call 0844 7016273 or email customer@bristan.com

Guarantee:

5 years covering manufacturing faults.



Bristan, Birch Coppice Business Park, Dordon, Tamworth, B78 1SG
Telephone: 0844 701 6274 Facsimile: 0844 701 6275
Web Site: www.bristan.com Email: enquire@bristan.com

