

QST 3/4 C

QUEST Tap Range Quest Bath Taps Chrome



Features:

- Supplied with metal handles
- Supplied with metal back nuts

Product Certifications:

WRAS Certificate No: 1703001



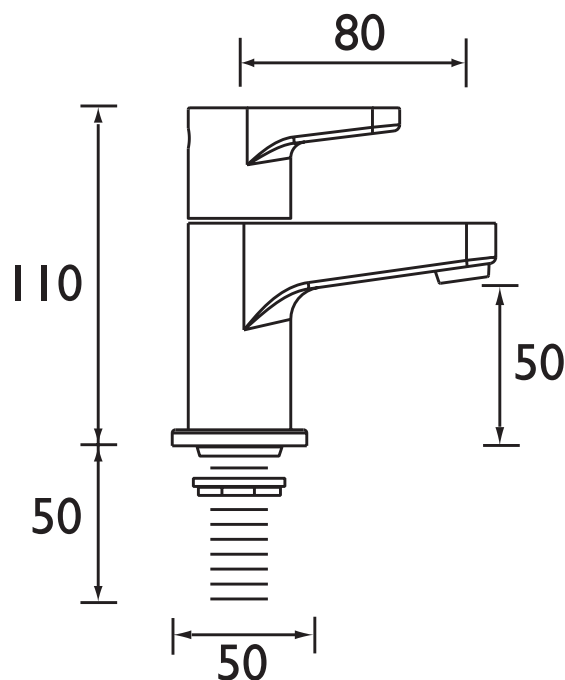
For more products, visit our website:



Specification

Style:	Contemporary
Product Type:	Bathroom Taps
Finish/Colour:	Chrome
Main Construction Material:	Body is of Brass Construction
Mount Type:	Deck
Handle Type:	Paddle
Connection Inlet:	3/4" BSP
Number of Tap Holes Required:	2
Valve/Cartridge Type:	3/4" Ceramic Disc Valve
Plumbing System Suitability	All
Working Pressure Range:	Min. 0.2 bar, Max. 8.0 bar
Maximum Hot Water Temperature: °c	65
Maximum Dynamic Pressure: (bar)	8
Maximum Static Pressure: (bar)	10
Flow Type:	Single Flow
Flow Rate: (l/min @ 3 bar)	47.2
Connection Outlet:	
Isolation Included:	No

Dimensions (measurements in mm)



Flow Rates (l/min)

System Pressure (bar)	0.2	0.5	1	2	3	5
QST 3/4 C	11.5	19.3	27.2	38.5	47.2	60.9

**TECHNICAL
DATA
SHEET**



BRISTAN
TAPS & SHOWERS

D7