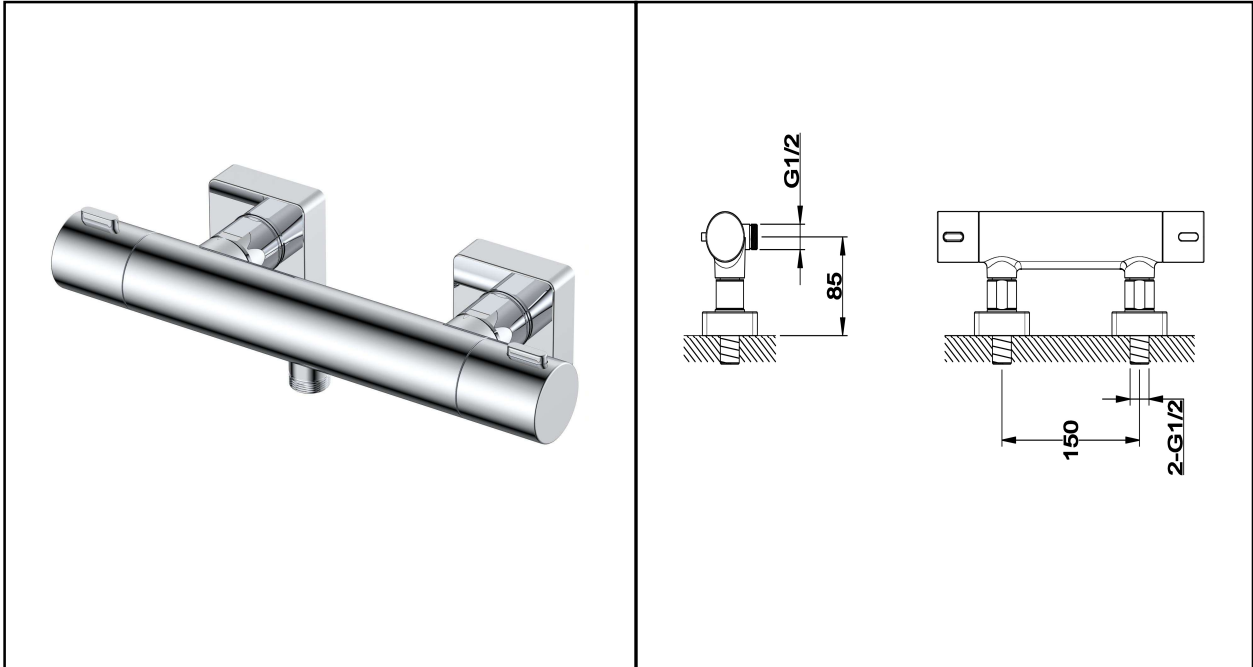


RAK BLADE TAPS

Thermostatic Bar Valve | Exposed

RAK
CERAMICS



Dimensions: 52w x 205d x356h mm

Colour: CHROME

Code: RAKBLD3303

Bar Pressures 0.5 Bar – 5.0 Bar

warranty 15 YEARS

Weight 2.64 kg

Dimensions: All Dimensions in mm tolerance $\pm 5\%$ for below 200mm and $\pm 3\%$ for above 200mm.
Note: Due to a continuing development programme to improve design and performance the manufacturer reserves all rights to vary specifications without prior information.
Please note accessories are for photographic use only.