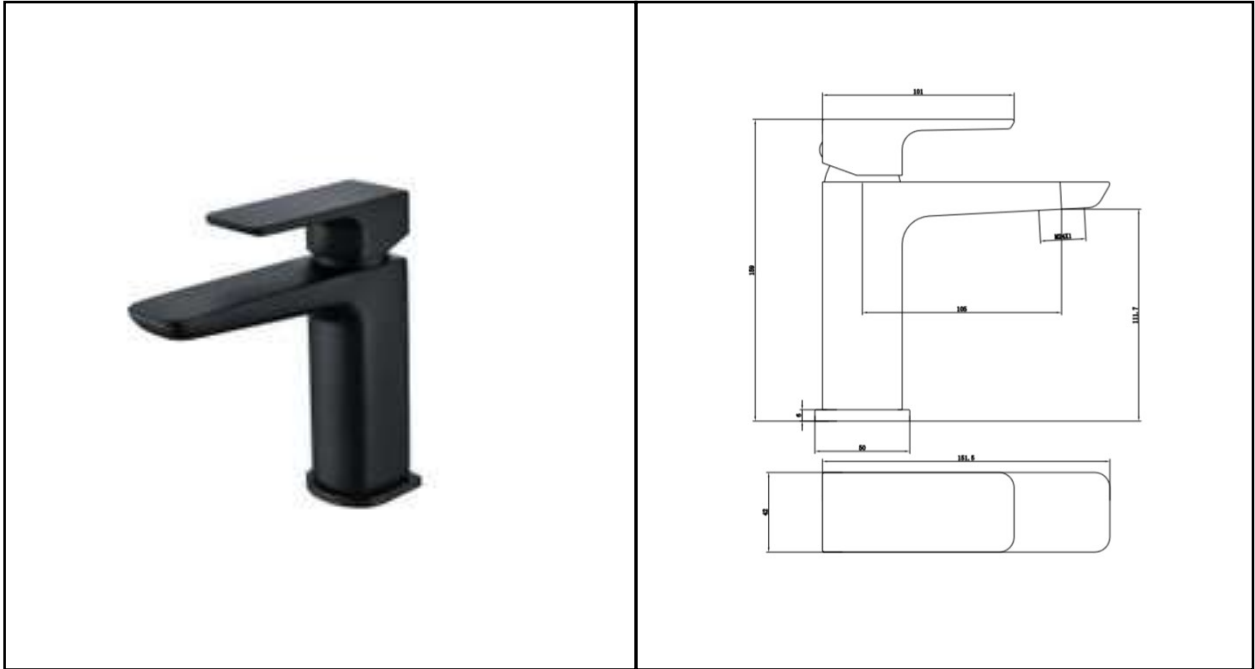


**MOON TAPS
BASIN MIXER | STANDARD | INC WASTE**



Dimensions:	50w x 151.5d x159h mm
Colour:	BLACK
Code:	RAKMOO3001B
Pressures:	0.2 - 0.6 Bar Pressure
Warranty:	15 YEARS
Weight:	1.70 KG

Dimensions: All Dimensions in mm tolerance $\pm 5\%$ for below 200mm and $\pm 3\%$ for above 200mm.
 Note: Due to a continuing development programme to improve design and performance the manufacturer reserves all rights to vary specifications without prior information.
 Please note accessories are for photographic use only.

JW3 need weight and pressure
John Ward, 29/05/2019