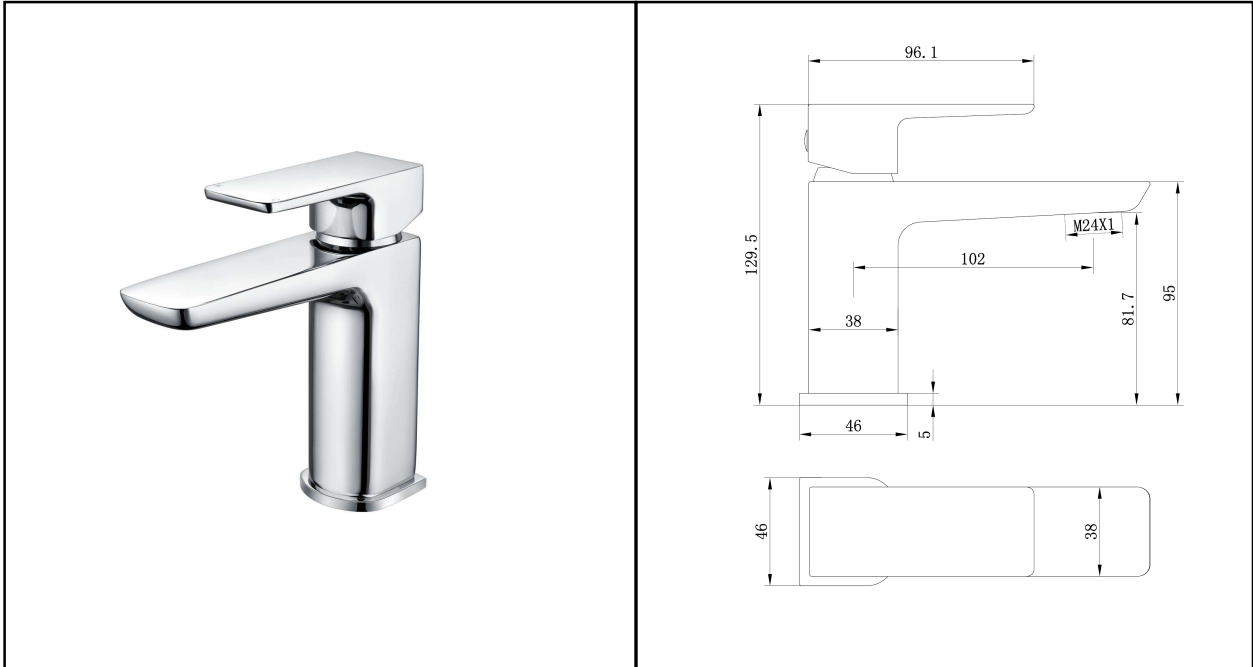


RAK MOON TAPS
BASIN MIXER | STANDARD | INC WASTE

RAK
CERAMICS



Dimensions: 46w x 129.5d x 96.1d mm

Colour: CHROME

Code: RAKMOO3001

Pressures: 0.2 - 0.6 Bar Pressure

Warranty: 15 YEARS

Weight: 1.70 KG

Dimensions: All Dimensions in mm tolerance $\pm 5\%$ for below 200mm and $\pm 3\%$ for above 200mm.
Note: Due to a continuing development programme to improve design and performance the manufacturer reserves all rights to vary specifications without prior information.
Please note accessories are for photographic use only.