

Taps

Origin Basin Mixer

RAK
CERAMICS

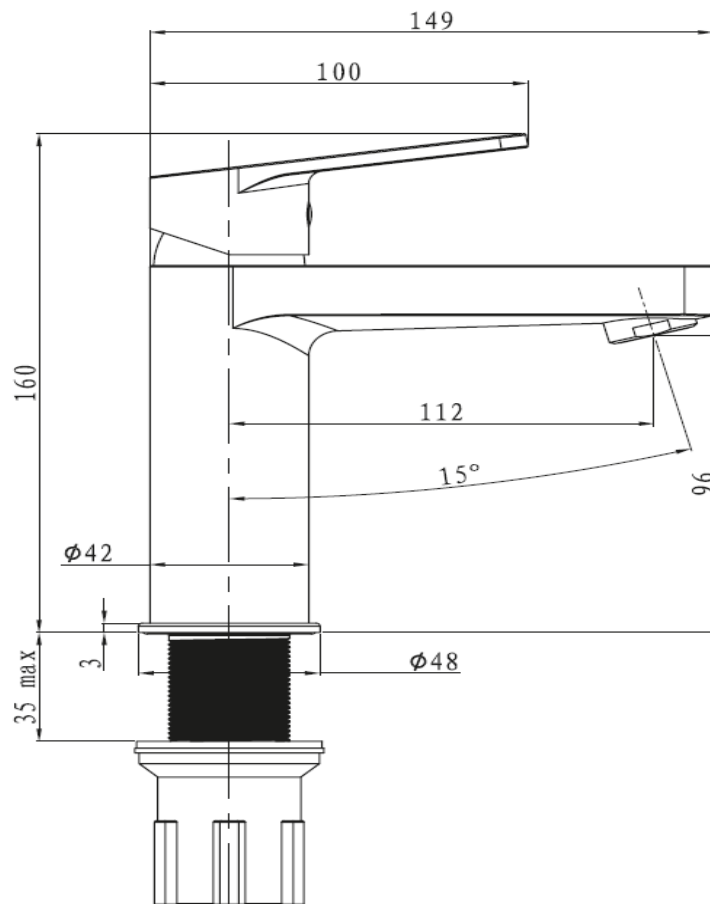
SPECIFICATION/CODE REFERENCE

Please use the reference codes shown below:



RAKORI3001

MATERIAL	Brass, Chrome Plating
WEIGHT	1.50kg
THICKNESS	Chrome 0.3 UM, Nickle 6019 UM
WASTE	Require suitable basin waste
PRESSURE	Mininium 0.2 LP2
WARRANTY	15 Years



Dimensions: All measurements are in millimeters and are subject to normal manufacturing variations.

Note: Due to a continuing development programme to improve design and performance, the manufacturer reserves all rights to vary specifications without prior informations. Please note accessories are for photographic use only.

Tel: 01730 237850 Fax: 01730 263210. RAK Ceramics, Bradford House, Frenchmans Road, Petersfield, Hampshire GU32 3AW
Contact us at: info.uk@rakceramics.com / Visit us at: www.rakceramics.co.uk 2017