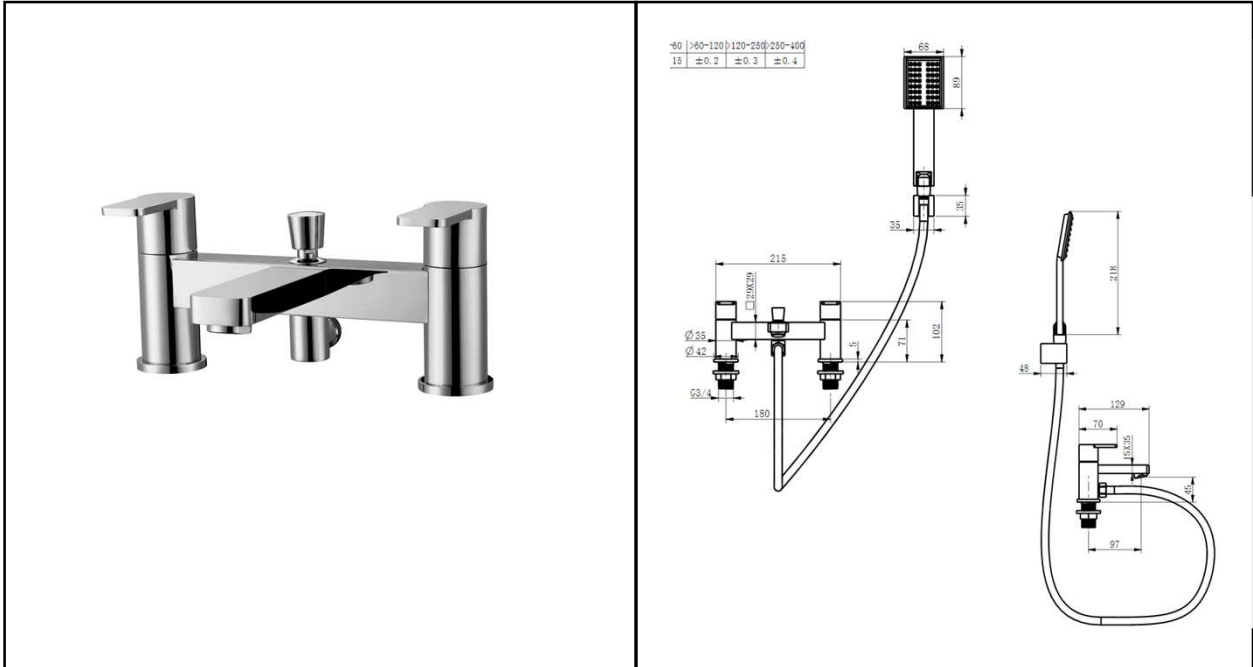


**TONIQUE TAPS**  
**Bath Shower Mixer | 2TH**

**RAK**  
 CERAMICS



**Dimensions:** 215w x 102d x 218h mm

**Colour:** CHROME

**Code:** RAKTON3005

**Pressures:** 0.2 BAR

**Warranty:** 15 YEARS

**Weight:** 6.0 KG

Dimensions: All Dimensions in mm tolerance  $\pm 5\%$  for below 200mm and  $\pm 3\%$  for above 200mm.  
 Note: Due to a continuing development programme to improve design and performance the manufacturer reserves all rights to vary specifications without prior information.  
 Please note accessories are for photographic use only.