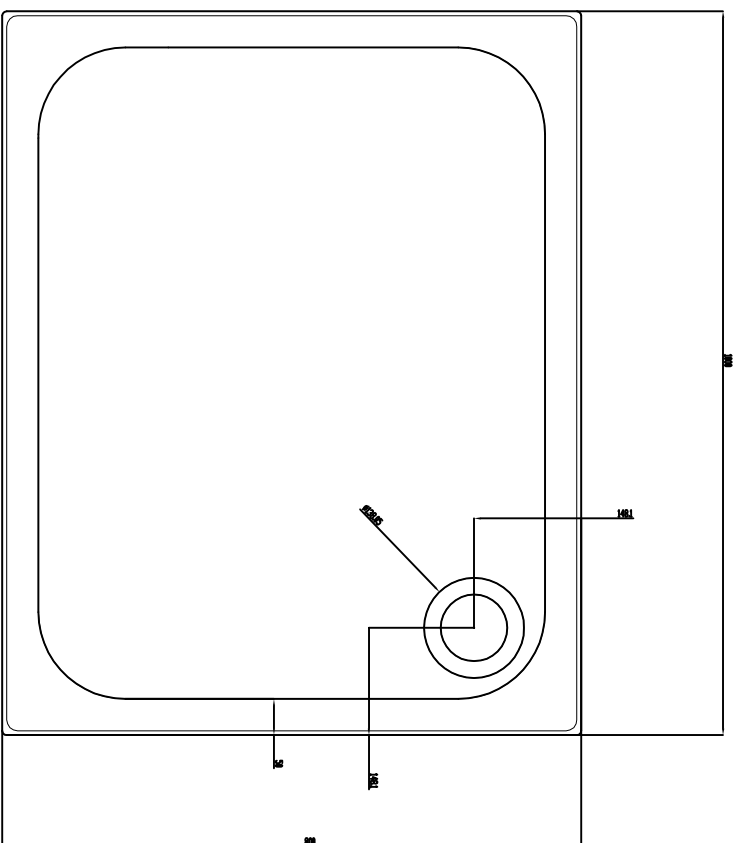
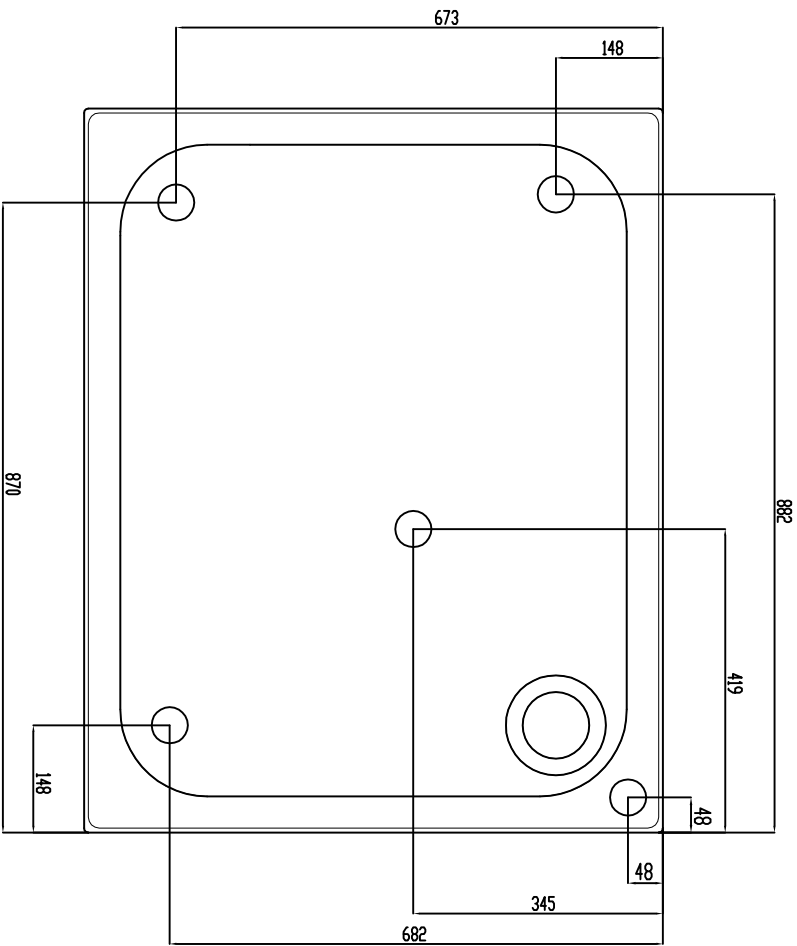


Signed Off: \_\_\_\_\_  
Date: \_\_\_\_\_



| Rev.           | Reason               | By | Chk. | Appr. | Date |
|----------------|----------------------|----|------|-------|------|
| Scale: 0:0     | Drawn: E.O'Toole     |    |      |       |      |
| Date: 29/10/11 | Chk'd Ref: M00228-01 |    |      |       |      |



Customer: Merlyn  
 Tray Detail  
 1000x800 Redangle Tray

Drawing: Tray  
 Revision: 01