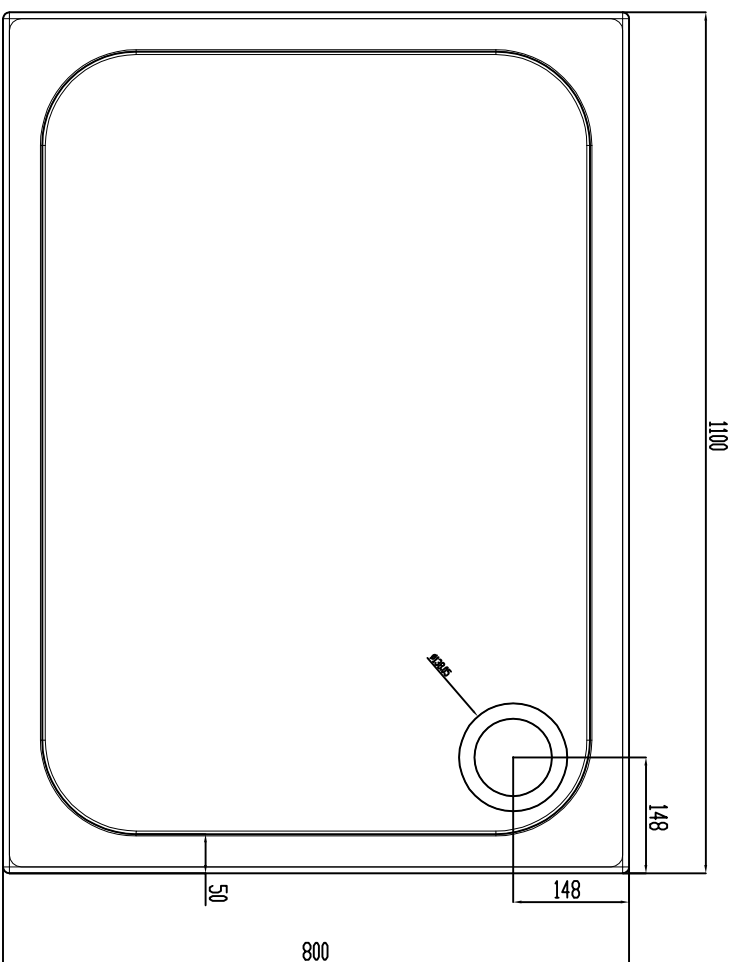
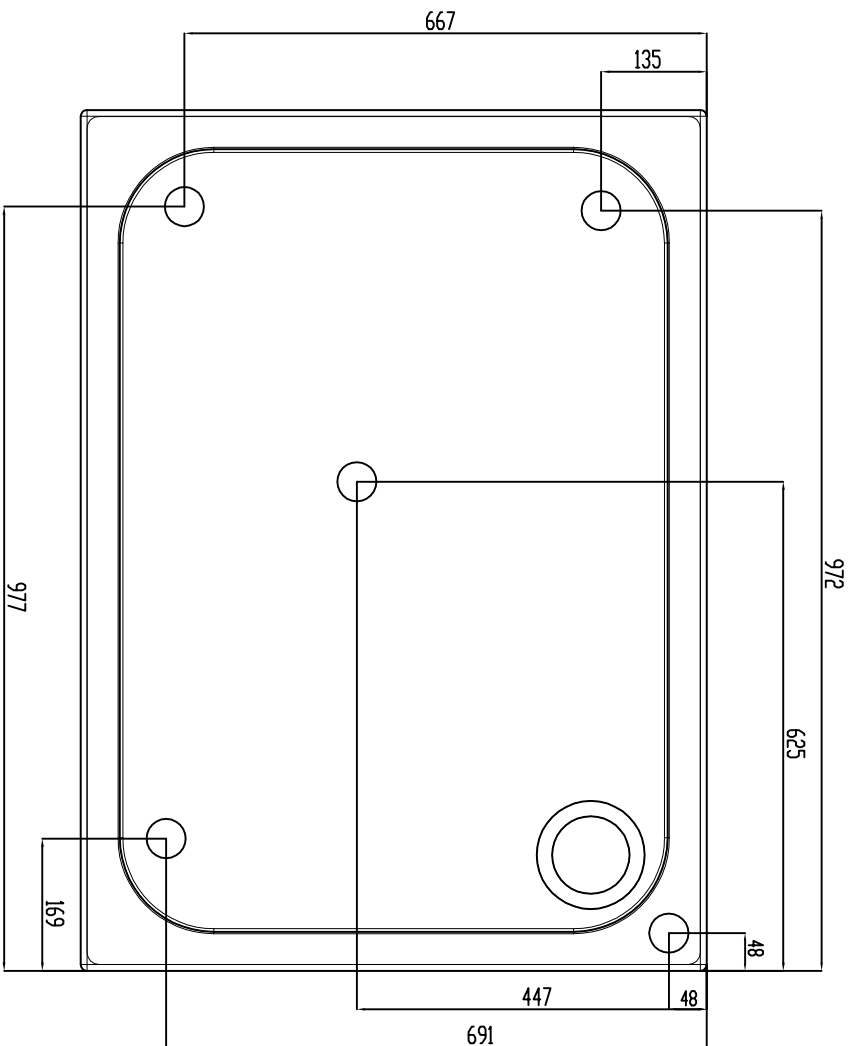


Signed Off: \_\_\_\_\_  
Date: \_\_\_\_\_



Rev. Reason By. Chk. Appr. Date  
Scale: 0:0 Drawn: E.O'Toole  
Date: 28/10/11 CAC Ref: M00228-01



Customer: Merlyn  
Tray Detail  
1100x800 Redangle Tray

Drawing: Tray  
Revision: 01