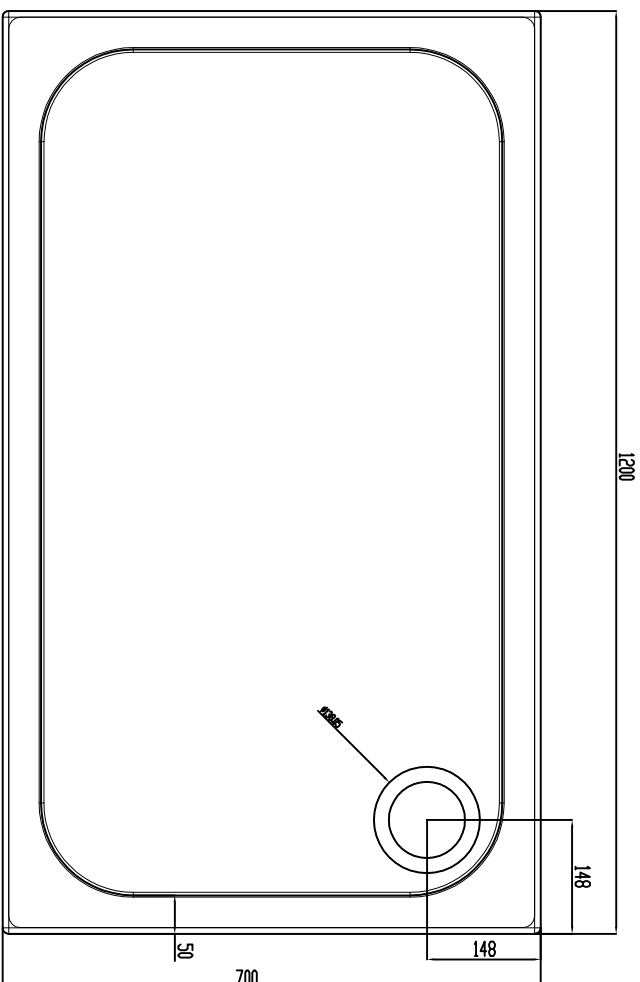
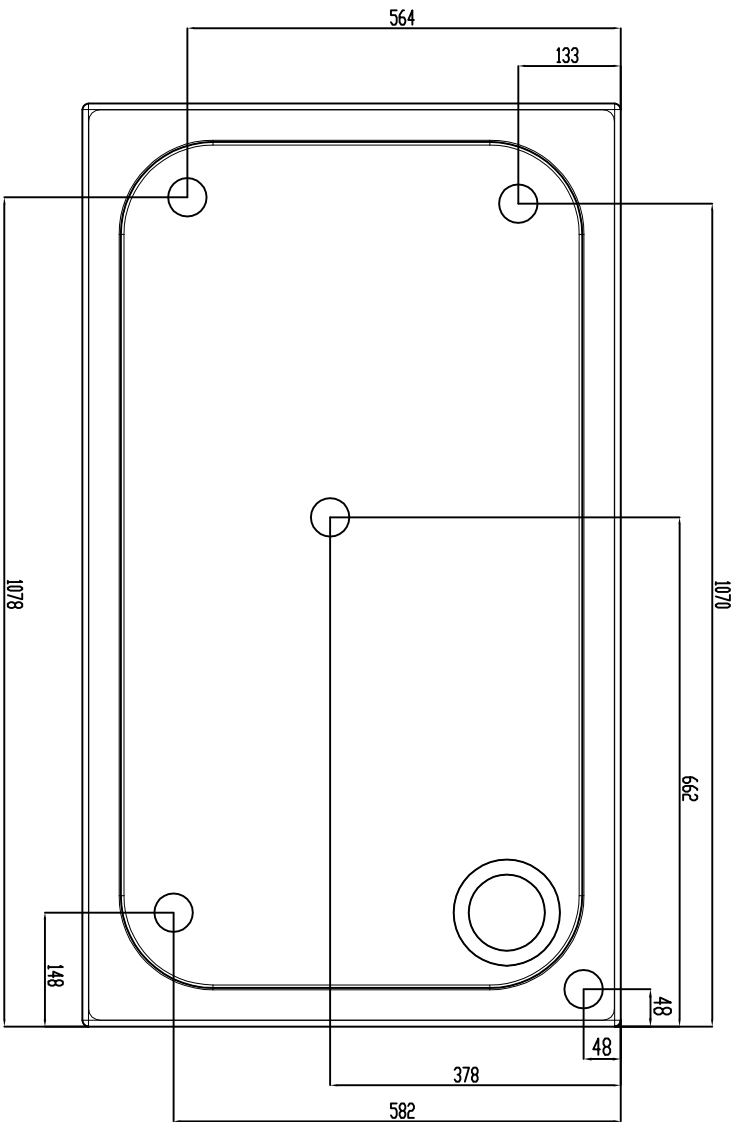


Signed Off: _____
Date: _____



Rev.	Reason	By	Chk.	Appr.	Date
Scale: 0:0	Drawn: E.O'Toole				
Date: 29/10/11	Chk Ref: M00228-01				



Customer: Merylyn
Tray Detail
1200X700 Redangle Tray

Drawing: Tray
Revision: 01