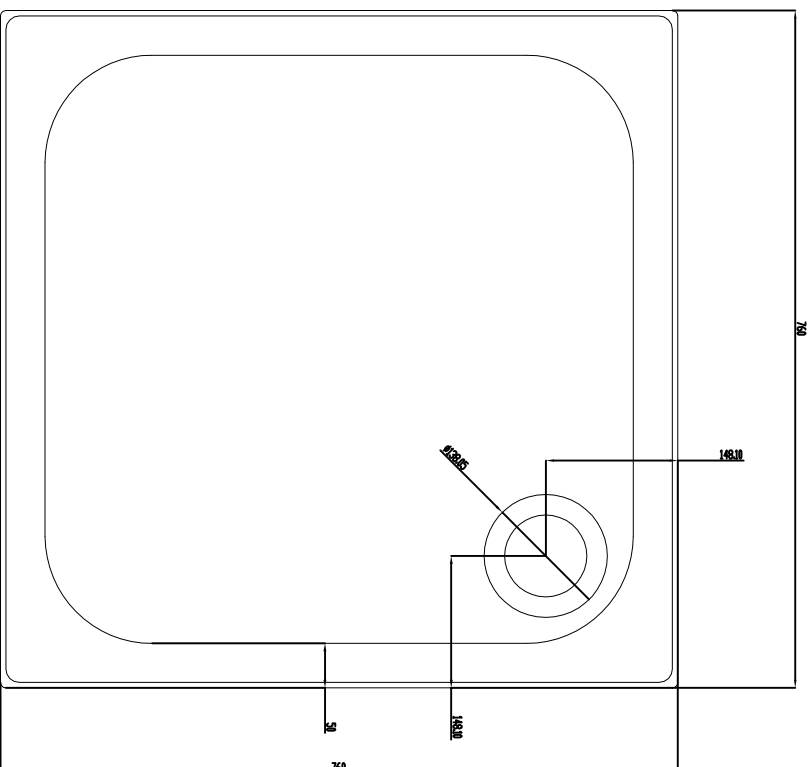
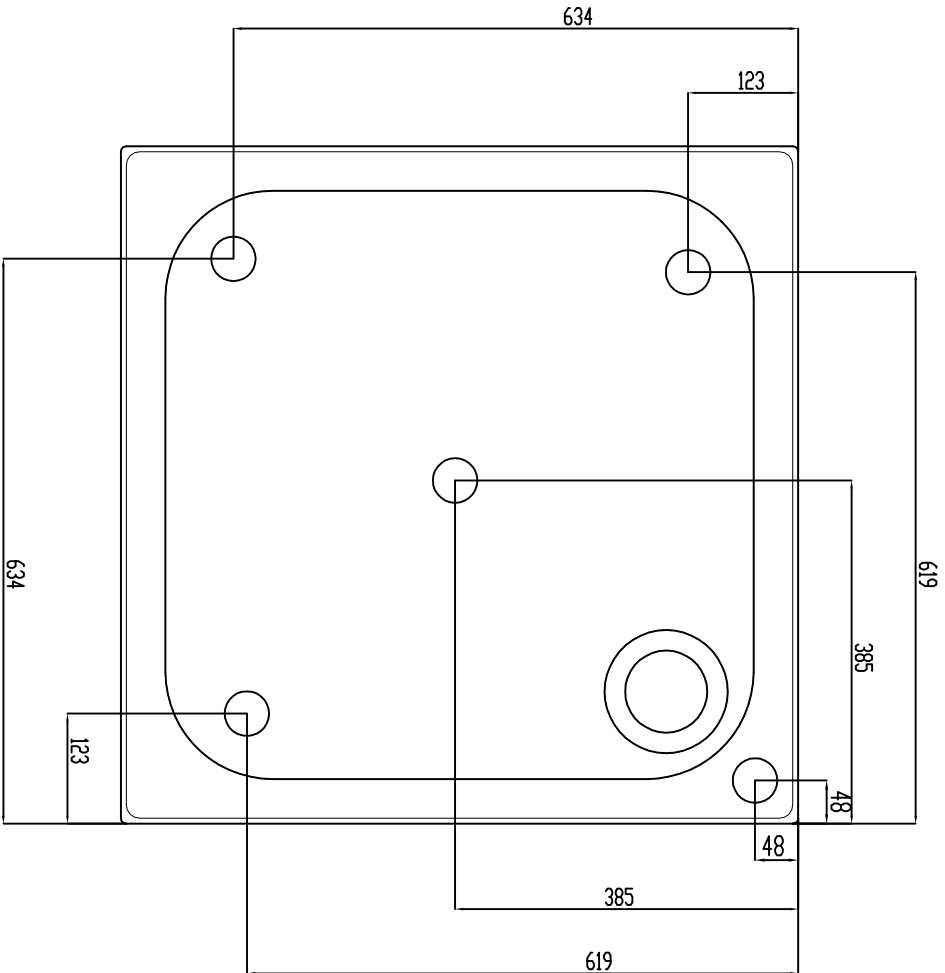


Signed Off: _____
Date: _____



Rev.	Reason	By	Chk.	Appr.	Date
Scale: 0:0		Drawn: EOTOole			
Date: 29/10/11		Chk'd Ref: M0228-01			



Customer: Mervyn
Tray Detail
760x760 Square Tray

Drawing: Tray
Revision: 01