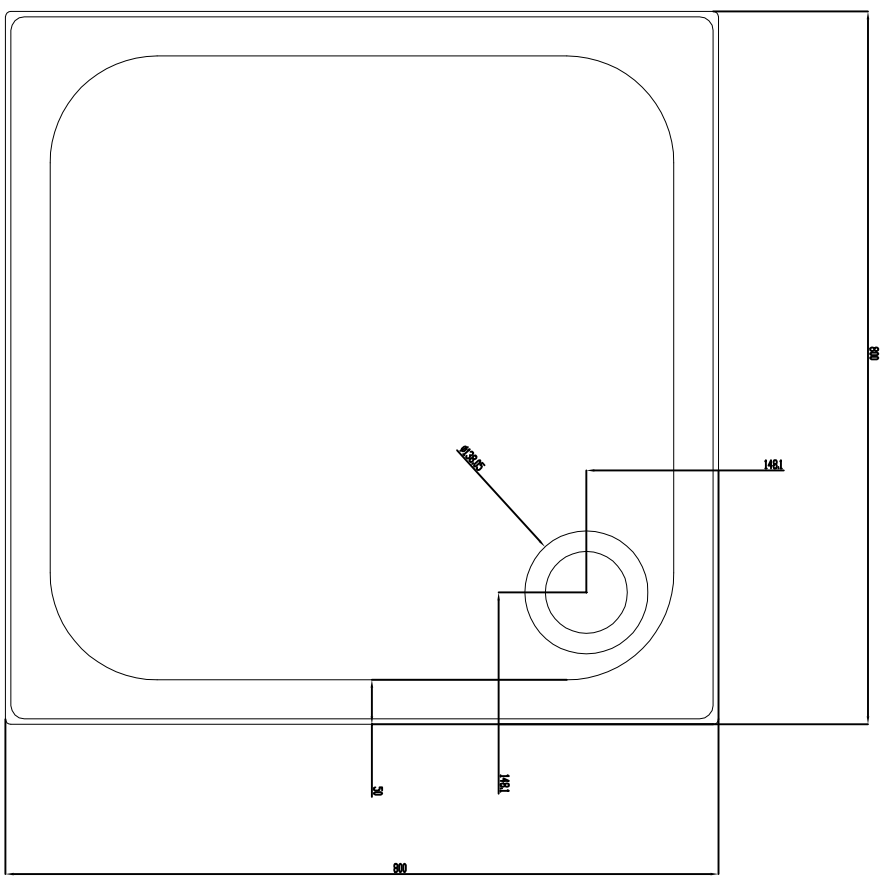
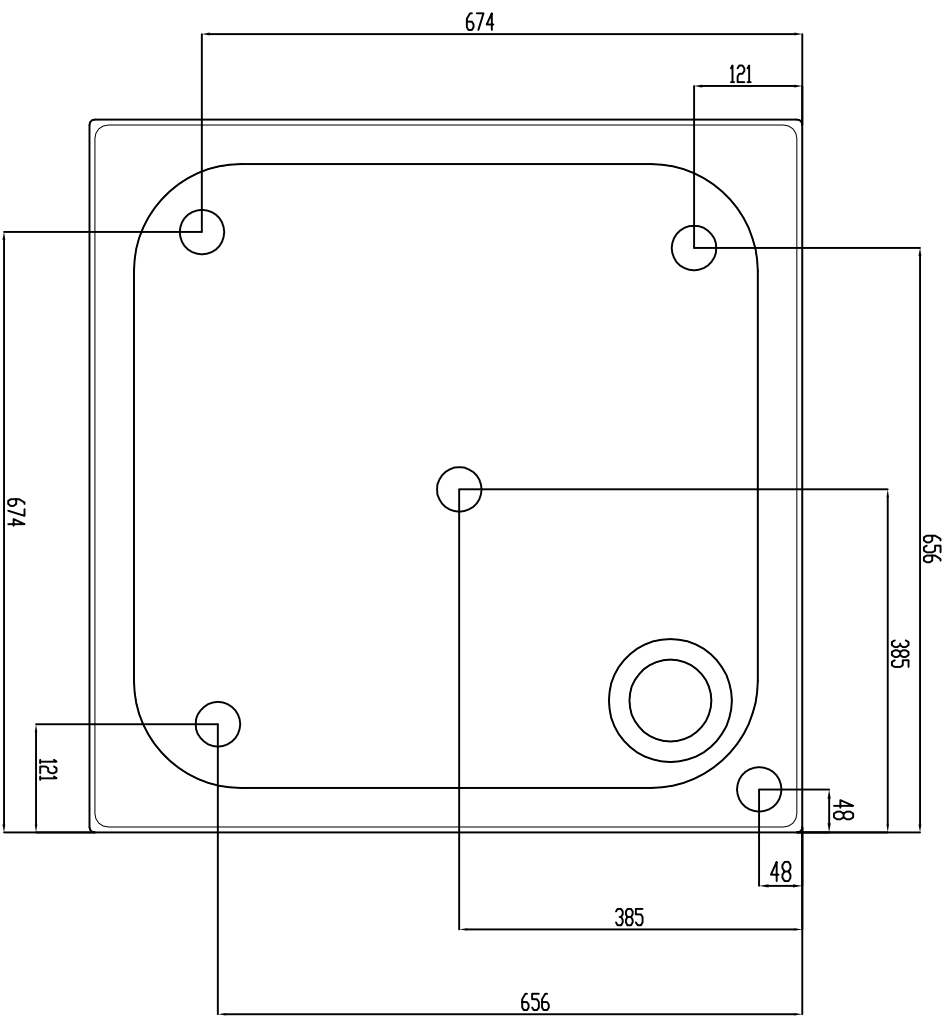


Signed Off: _____
Date: _____



Rev.	Reason	By	Chk.	Appr.	Date
Scale: 0:0	Drawn: E.O'Toole				
Date: 28/10/11	Chk'd Ref: M00228-01				

MERLYN
 Merlyn Industries Ltd.
 Production Industrial Park
 Dublin Road
 Kildenny
 Tel: 00353 56 779 1455
 Email: info@merlyntrays.com

Customer: Merlyn
Tray Detail
800x800 Square Tray

Drawing	Revision
Tray	01