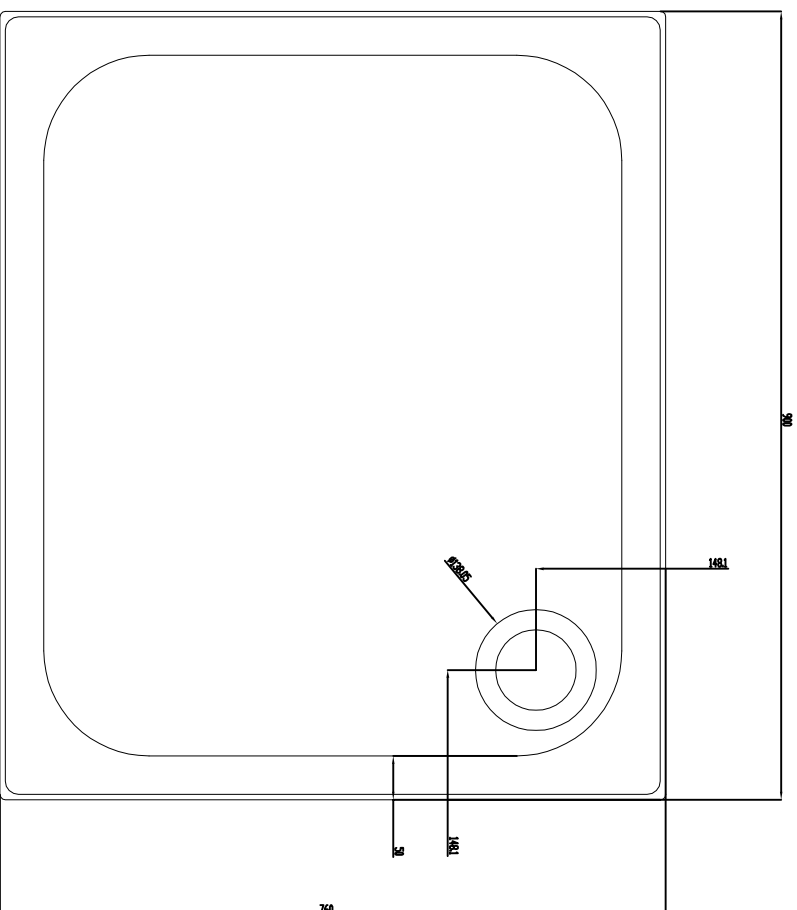
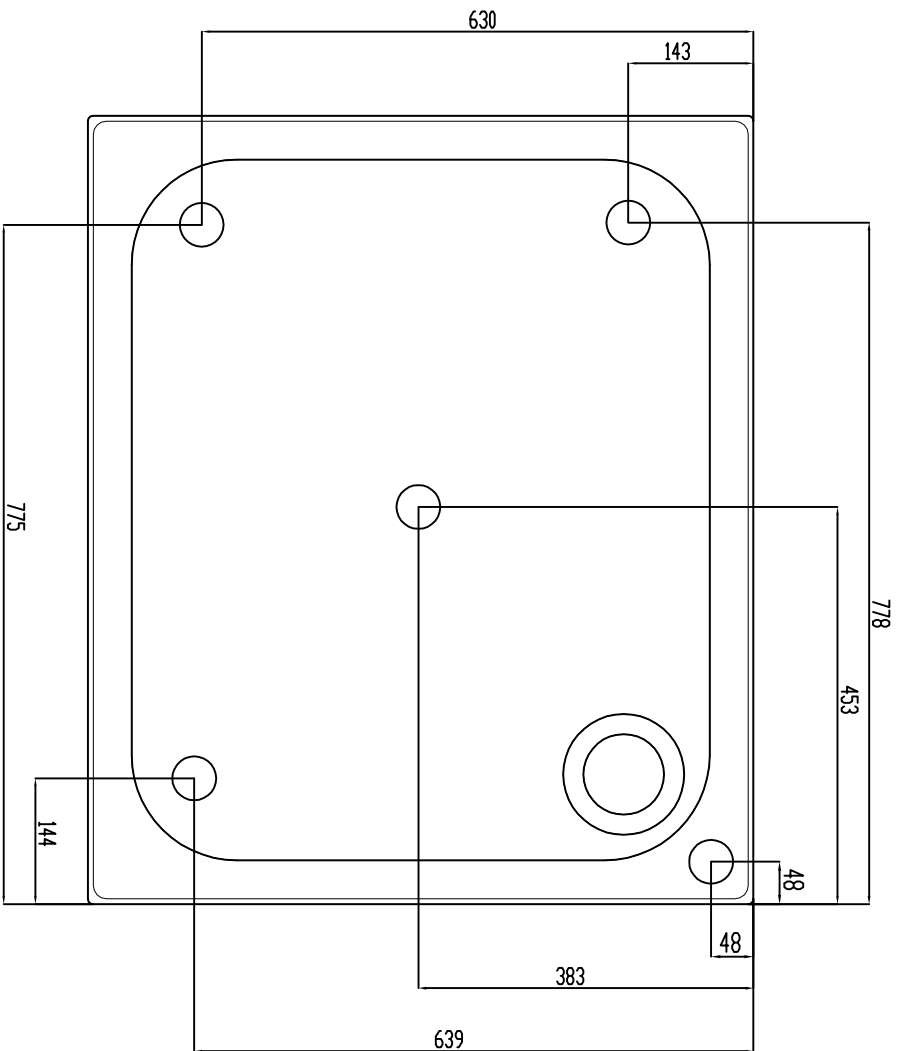


Signed Off: \_\_\_\_\_  
Date: \_\_\_\_\_



Rev.	Reason	By	Chk.	Appr.	Date
Scale: 0:0	Drawn: E.O'Toole				
Date: 28/10/11	Chk'd Ref: M00228-01				

**MERLYN**  
 Merlyn Industries Ltd.  
 Production Industrial Park  
 Dublin Road  
 Kildenny  
 Tel: 00353 56 779 1455  
 Email: info@merlyntrays.com

Customer: Merlyn  
 Tray Detail  
 900x760 Rectangle Tray

Drawing: Tray  
 Revision: 01