



Features

- Supplied with metal handle
- Supplied with clicker waste
- Chrome plated to BS EN 248

Product Certifications:

WRAS Approval No. 1403021



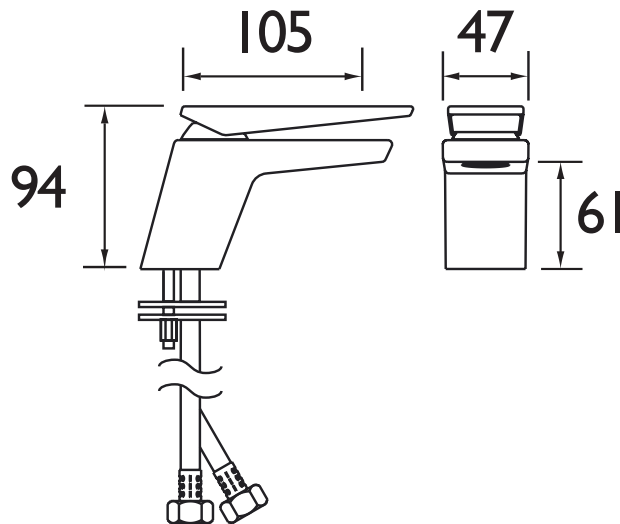
For more products, visit our website:



Specification

Style:	Contemporary
Product Type:	Taps
Finish/Colour:	Chrome
Main Construction Material:	Brass
Mount Type:	Deck Mounted
Handle Type:	Lever
Connection Inlet:	M10 x 15mm Flexible Tails
Number of Tap Holes Required:	1
Valve/Cartridge Type:	35mm Ceramic Cartridge
Plumbing System Suitability	Suitable for all plumbing systems
Working Pressure Range:	Min 0.2 Max 5.0
Maximum Hot Water Temperature: °c	65
Maximum Dynamic Pressure: (bar)	5
Maximum Static Pressure: (bar)	10
Flow Type:	Single
Flow Rate: (l/min @ 3 bar)	42.7
Connection Outlet:	N/A
Isolation Included:	No

Dimensions (measurements in mm)



Flow Rates (l/min)

System Pressure (bar)	0.2	0.5	1	2	3	5
SAI BAS C	10.5	16.7	24.2	34.4	42.7	55

TECHNICAL DATA SHEET

BRISTAN

TAPS & SHOWERS

D4