

## SAIL Bath Filler

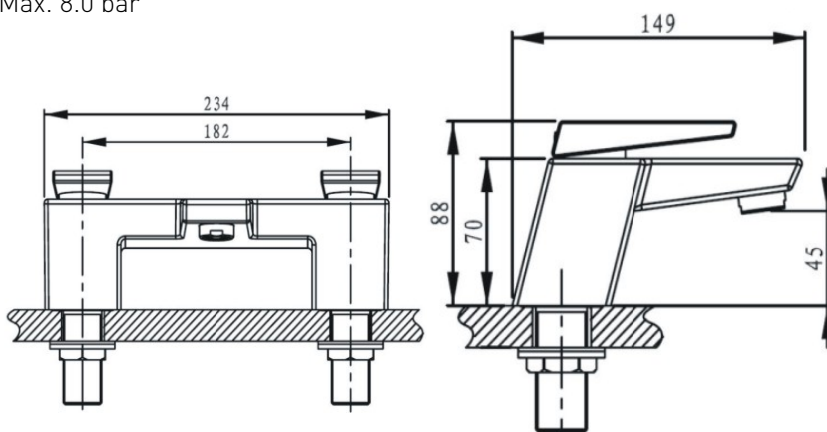


### Product Specification

Product Code:	SAI BSM C
Finishes:	Chrome
Product Type:	Contemporary
Construction:	Tap bodies are of all brass construction and are designed to conform to BS EN 200
Valve Type:	¼ turn ¾" Ceramic Disc
Supply:	Suitable for all plumbing systems, preferably balanced
Inlet Connections:	¾" BSP
Working Pressures:	Min 0.2 bar Max. 8.0 bar

### Additional Information

- Supplied with metal handles and backnuts
- Chrome plated to BS EN 248



### Flow Rates (litres per minute)

System Pressure	0.2bar	0.5bar	1.0bar	2.0bar	3.0bar	5.0bar
Bath Filler (Hot)	17.4	29.3	41.1	59.4	72.7	93.9
Bath Filler (Cold)	17.5	30.2	41.2	58.4	64.4	83.1

### Compliance / Approvals

WRAS Approval No: 1403023

**Technical Advice:** For further information please call 0844 7016273 or email [customer@bristan.com](mailto:customer@bristan.com)

**Guarantee:** 5 years covering manufacturing faults.