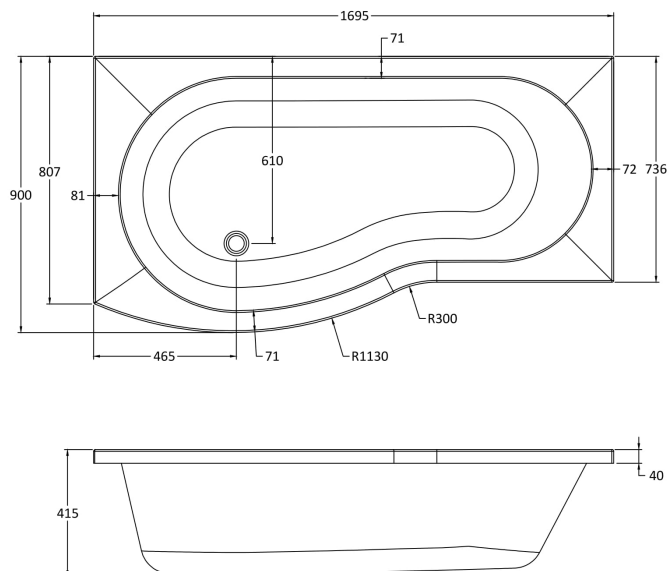


CUSTOMER DATA SHEET

SALES CODE: SBATH07

DESCRIPTION: B Shaped Showerbath Pack Lh



PACKAGING DETAILS

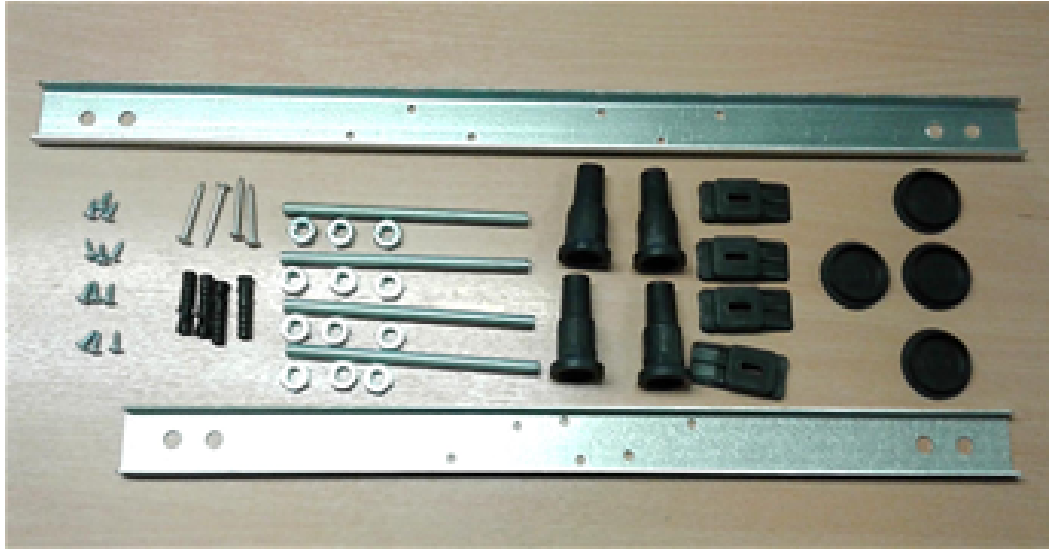
Barcode

5055275823989

CUSTOMER DATA SHEET - BATHS

SALES CODE: WBL001

DESCRIPTION: Bath Leg Set



PRODUCT DIMENSIONS

Length (mm)	Width (mm)	Depth (mm)	Nett Wgt Kg
600	60	60	2.5

PACKAGING DIMENSIONS

Length (mm)	Width (mm)	Depth (mm)	Gross Wgt Kg
600	60	60	2.5

PACKAGING DATA

Box Colour	Brown Cardboard Sleeve		
Box Qty	1	Label Colour	White Label
Label Size	100 X 50	Label Qty	2

OUTER BOX DIMENSIONS (If Applicable)

Length (mm)	Width (mm)	Height (mm)	Gross Wgt Kg
Barcode	5056211809197		

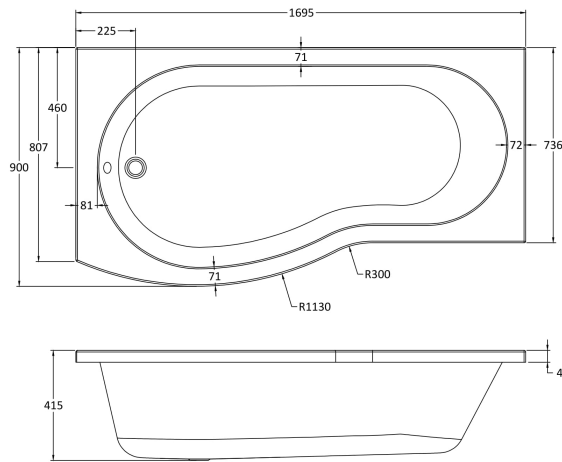
PRODUCT DETAILS

Country of Origin	Poland	Certification	FSC	CE
Fitting Instruction	No	Material Colour Ref'		
Product Material		Material Thickness		
Volume (Ltr)		Displaced Capacity		
Leg Set Inc'		Waste Inc'		
Drilled/Undrilled		Includes Grips		
Embossed		No of Tapholes		
Anti-Slip				

CUSTOMER DATA SHEET - BATHS

SALES CODE: WBB101

DESCRIPTION: 1700 B Shaped Shower Bath L/H



PRODUCT DIMENSIONS

Length (mm)	Width (mm)	Depth (mm)	Nett Wgt Kg
1695	900	415	18.75

PACKAGING DIMENSIONS

Length (mm)	Width (mm)	Depth (mm)	Gross Wgt Kg
1700	900	415	19

PACKAGING DATA

Box Colour	Brown Cardboard Sleeve		
Box Qty	1	Label Colour	White Label
Label Size	300 X 35	Label Qty	2

OUTER BOX DIMENSIONS (If Applicable)

Length (mm)	Width (mm)	Height (mm)	Gross Wgt Kg
Barcode	5055275821152		

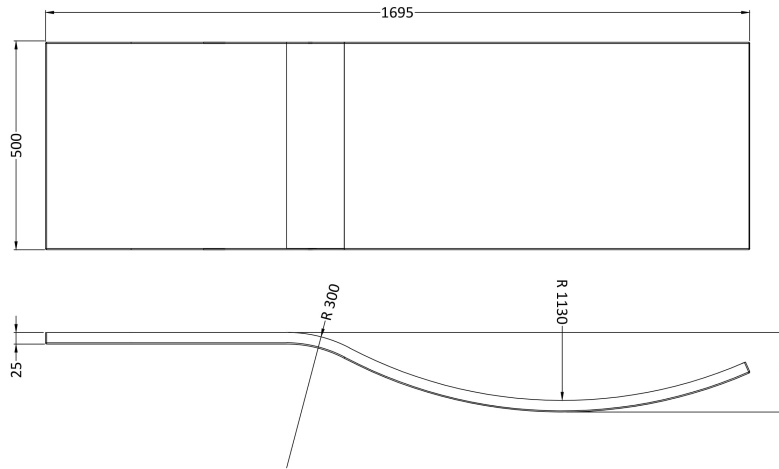
PRODUCT DETAILS

Country of Origin	United Kingdom			
Fitting Instruction	No			
Product Material	Acrylic			
Volume (Ltr)	240L			
Leg Set Inc'	Legset Not Included			
Drilled/Undrilled	Undrilled For Taps			
Embossed	No			
Anti-Slip	No			
Certification	FSC	CE	Yes	
Material Colour Ref'	European White			
Material Thickness	4mm			
Displaced Capacity	170L			
Waste Inc'	Waste Not Included			
Includes Grips	No Grips Supplied			
No of Tapholes	None			

CUSTOMER DATA SHEET - BATHS

SALES CODE: WBB200

DESCRIPTION: 1700 B Shaped Front Panel Cw Fixing Kit



PRODUCT DIMENSIONS

Length (mm)	Width (mm)	Depth (mm)	Nett Wgt Kg
1695	500	150	1

PACKAGING DIMENSIONS

Length (mm)	Width (mm)	Depth (mm)	Gross Wgt Kg
1700	520	30	1

PACKAGING DATA

Box Colour	Polybagged With End Caps		
Box Qty	1	Label Colour	White Label
Label Size	100 X 50	Label Qty	1

OUTER BOX DIMENSIONS (If Applicable)

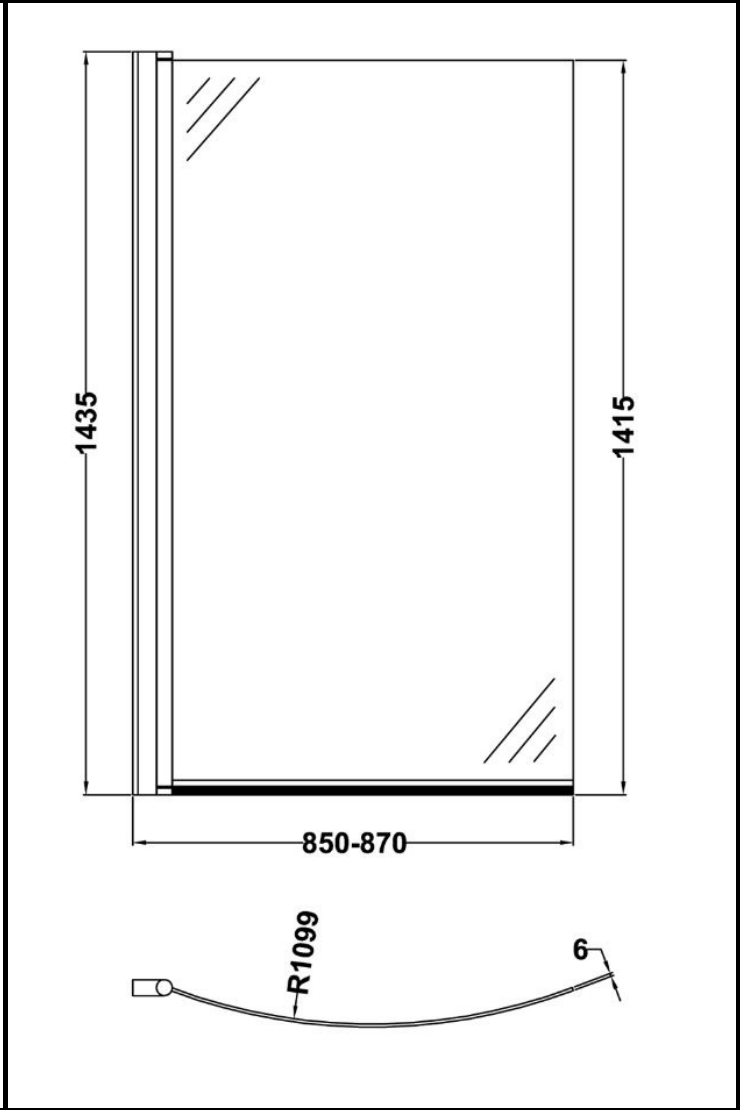
Length (mm)	Width (mm)	Height (mm)	Gross Wgt Kg
Barcode	5055275821169		

PRODUCT DETAILS

Country of Origin	United Kingdom	Certification	FSC	CE
Fitting Instruction	No	Material Colour Ref'	European White	
Product Material	Acrylic	Material Thickness	2mm	
Volume (Ltr)	N/A	Displaced Capacity	N/A	
Leg Set Inc'	Not Applicable	Waste Inc'	Not Applicable	
Drilled/Undrilled	Not Applicable	Includes Grips	Not Applicable	
Embossed	Not Applicable	No of Tapholes	Not Applicable	
Anti-Slip	Not Applicable			

CUSTOMER DATA SHEET - ENCLOSURES

SALES CODE: NBBS1	DESCRIPTION: Curved Bath Screen
--------------------------	--



PRODUCT DIMENSIONS			
Height (mm)	Width (mm)	Depth (mm)	Nett Wgt Kg
1435	870	38	20.7

PACKAGING DIMENSIONS			
Height (mm)	Width (mm)	Length (mm)	Gross Wgt Kg
50	895	1435	20.7

PACKAGING DATA			
Box Colour	Brown Cardboard Box - Printed		
Box Qty	1	Label Colour	Not Applicable
Label Size	100 x 50	Label Qty	0

OUTER BOX DIMENSIONS (If Applicable)				
Height (mm)	Width (mm)	Depth (mm)	Length (mm)	Gross Wgt Kg
Barcode	5055369001798			

PRODUCT DETAILS	
Country of Origin	China
Fitting Instruction	Yes
Profile Material	Aluminium
Adjustments (mm)	850mm - 870mm
Swing In Dim (mm)	780mm
Radius (mm)	1099 mm
Easy Fit	No
Handle Style	Not Applicable
Enclosure Design	Frameless
Support Bar Inc'	Support Bar Not Included
CE Approval	Yes
Profile Finish	Polished Chrome
Entry Width (mm)	N/A
Swing Out Dim (mm)	780mm
Glass Thickness (mm)	6
Easy Clean	No
Handle Material	Not Applicable
Wheel Type	Not Applicable
Extras	None