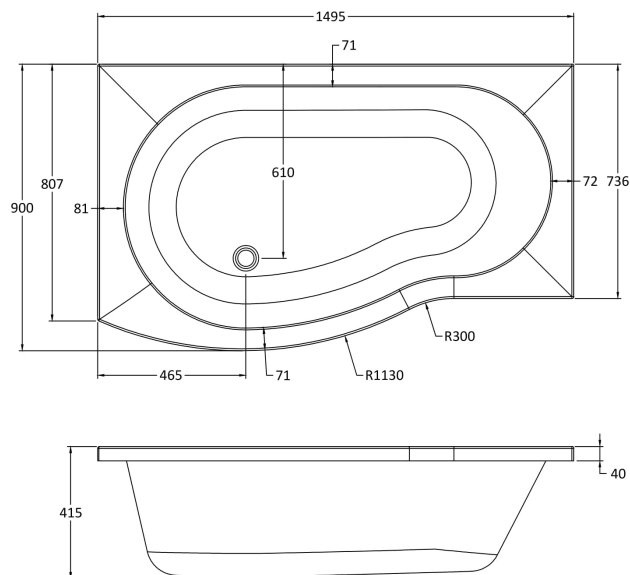


## CUSTOMER DATA SHEET

SALES CODE: SBATH20

DESCRIPTION: 1500 B Shape S/Bath Pack Lh



### PACKAGING DETAILS

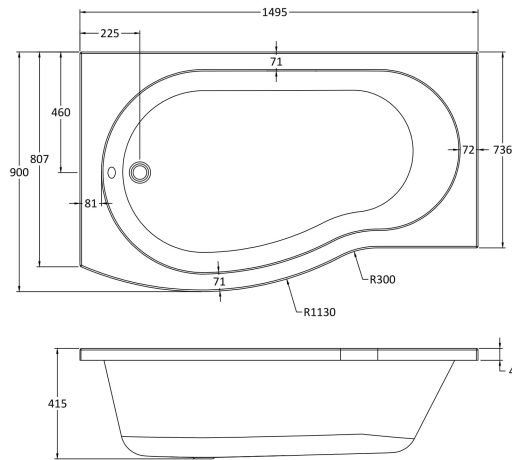
Barcode

5055275825075

## CUSTOMER DATA SHEET - BATHS

SALES CODE: WBB103

DESCRIPTION: 1500mm B Shaped Shower Bath Lh



### PRODUCT DIMENSIONS

Length (mm)	Width (mm)	Depth (mm)	Nett Wgt Kg
1495	900	415	16.75

### PACKAGING DIMENSIONS

Length (mm)	Width (mm)	Depth (mm)	Gross Wgt Kg
1500	900	415	17

### PACKAGING DATA

Box Colour	Brown Cardboard Sleeve		
Box Qty	1	Label Colour	White Label
Label Size	300 X 35	Label Qty	2

### OUTER BOX DIMENSIONS (If Applicable)

Length (mm)	Width (mm)	Height (mm)	Gross Wgt Kg
Barcode	5055275824542		

### PRODUCT DETAILS

Country of Origin	Turkey	Certification	FSC	CE	Yes
Fitting Instruction	No	Material Colour Ref'	European White		
Product Material	Acrylic	Material Thickness	4mm		
Volume (Ltr)	200L	Displaced Capacity	130L		
Leg Set Inc'	Legset Not Included	Waste Inc'	Waste Not Included		
Drilled/Undrilled	Undrilled For Taps	Includes Grips	No Grips Supplied		
Embossed	No	No of Tapholes	None		
Anti-Slip	No				

## CUSTOMER DATA SHEET - BATHS

SALES CODE: WBL001

DESCRIPTION: Bath Leg Set



### PRODUCT DIMENSIONS

Length (mm)	Width (mm)	Depth (mm)	Nett Wgt Kg
600	60	60	2.5

### PACKAGING DIMENSIONS

Length (mm)	Width (mm)	Depth (mm)	Gross Wgt Kg
600	60	60	2.5

### PACKAGING DATA

Box Colour	Brown Cardboard Sleeve		
Box Qty	1	Label Colour	White Label
Label Size	100 X 50	Label Qty	2

### OUTER BOX DIMENSIONS (If Applicable)

Length (mm)	Width (mm)	Height (mm)	Gross Wgt Kg
Barcode	5056211809197		

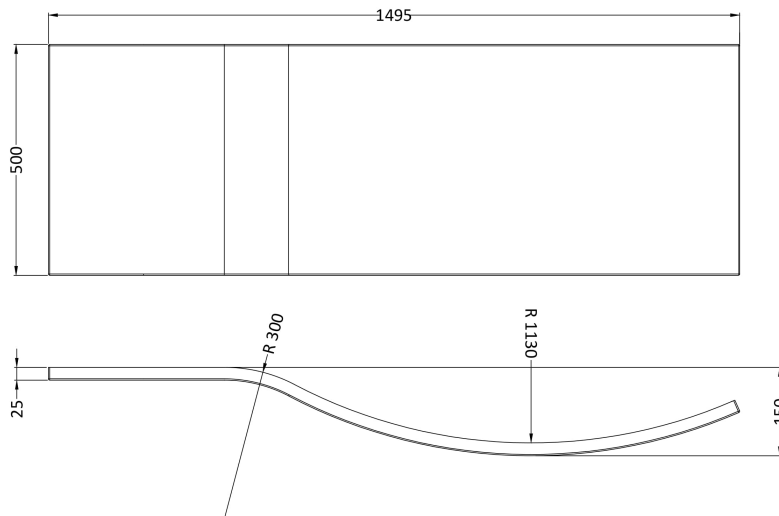
### PRODUCT DETAILS

Country of Origin	Poland	Certification	FSC	CE
Fitting Instruction	No	Material Colour Ref'		
Product Material		Material Thickness		
Volume (Ltr)		Displaced Capacity		
Leg Set Inc'		Waste Inc'		
Drilled/Undrilled		Includes Grips		
Embossed		No of Tapholes		
Anti-Slip				

## CUSTOMER DATA SHEET - BATHS

SALES CODE: WBB202

DESCRIPTION: 1500mm B Shaped Front Panel



### PRODUCT DIMENSIONS

Length (mm)	Width (mm)	Depth (mm)	Nett Wgt Kg
1495	500	150	1

### PACKAGING DIMENSIONS

Length (mm)	Width (mm)	Depth (mm)	Gross Wgt Kg
1500	520	30	1

### PACKAGING DATA

Box Colour	Polybagged With End Caps		
Box Qty	1	Label Colour	White Label
Label Size	100 X 50	Label Qty	1

### OUTER BOX DIMENSIONS (If Applicable)

Length (mm)	Width (mm)	Height (mm)	Gross Wgt Kg
Barcode	5055275824559		

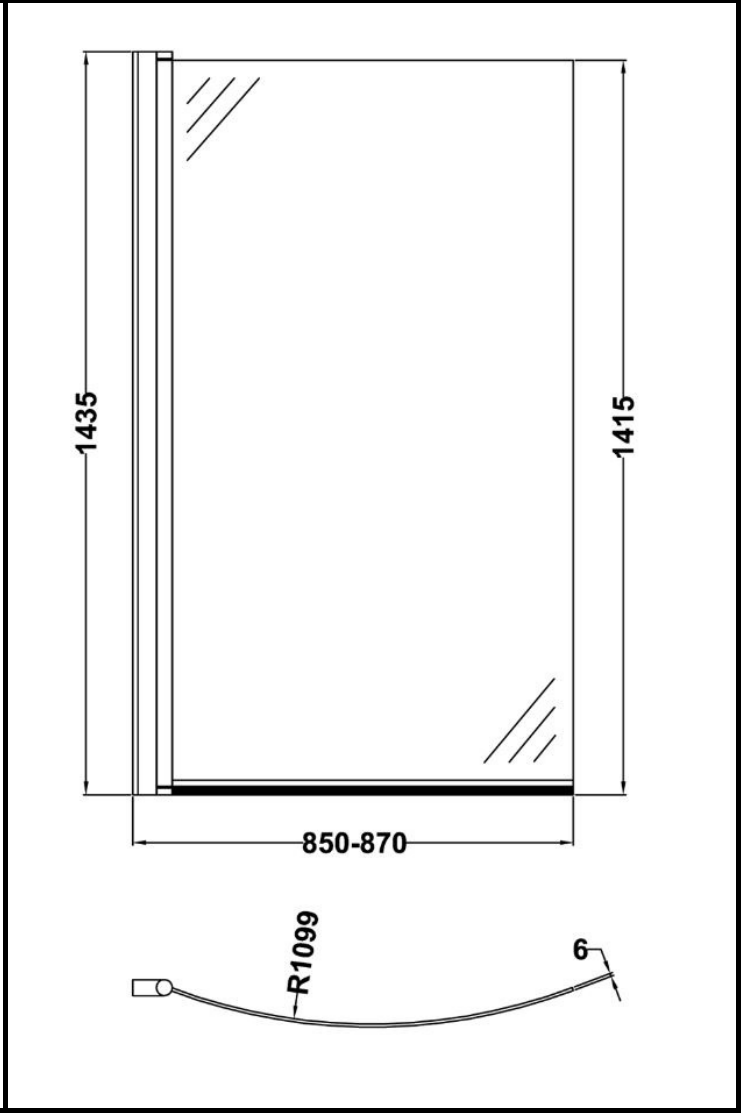
### PRODUCT DETAILS

Country of Origin	Turkey	Certification	FSC	CE
Fitting Instruction	No	Material Colour Ref'	European White	
Product Material	Acrylic	Material Thickness	2mm	
Volume (Ltr)	N/A	Displaced Capacity	N/A	
Leg Set Inc'	Not Applicable	Waste Inc'	Not Applicable	
Drilled/Undrilled	Not Applicable	Includes Grips	Not Applicable	
Embossed	Not Applicable	No of Tapholes	Not Applicable	
Anti-Slip	Not Applicable			

## CUSTOMER DATA SHEET - ENCLOSURES

SALES CODE: NBBS1

DESCRIPTION: Curved Bath Screen



### PRODUCT DIMENSIONS

Height (mm)	Width (mm)	Depth (mm)	Nett Wgt Kg
1435	870	38	20.7

### PACKAGING DIMENSIONS

Height (mm)	Width (mm)	Length (mm)	Gross Wgt Kg
50	895	1435	20.7

### PACKAGING DATA

Box Colour	Brown Cardboard Box - Printed		
Box Qty	1	Label Colour	Not Applicable
Label Size	100 x 50	Label Qty	0

### OUTER BOX DIMENSIONS (If Applicable)

Height (mm)	Width (mm)	Depth (mm)	Length (mm)	Gross Wgt Kg
Barcode	5055369001798			

### PRODUCT DETAILS

Country of Origin	China
Fitting Instruction	Yes
Profile Material	Aluminium
Adjustments (mm)	850mm - 870mm
Swing In Dim (mm)	780mm
Radius (mm)	1099 mm
Easy Fit	No
Handle Style	Not Applicable
Enclosure Design	Frameless
Support Bar Inc'	Support Bar Not Included

CE Approval	Yes
Profile Finish	Polished Chrome
Entry Width (mm)	N/A
Swing Out Dim (mm)	780mm
Glass Thickness (mm)	6
Easy Clean	No
Handle Material	Not Applicable
Wheel Type	Not Applicable
Extras	None