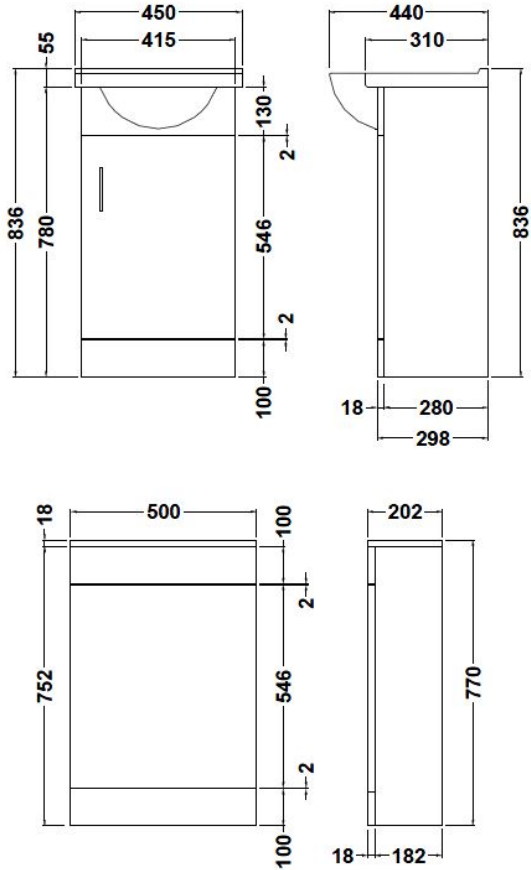


## CUSTOMER DATA SHEET

SALES CODE: SIE002

DESCRIPTION: Sienna Cloakroom Pack W/Out Mono Basin



### PACKAGING DETAILS

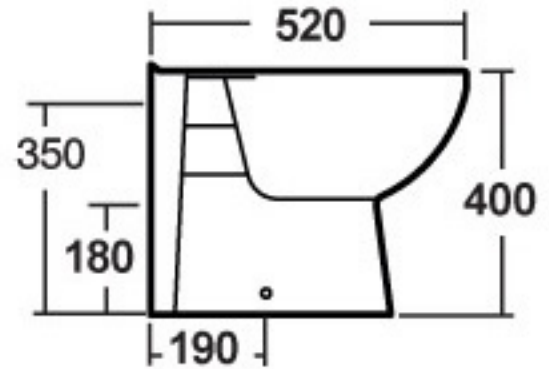
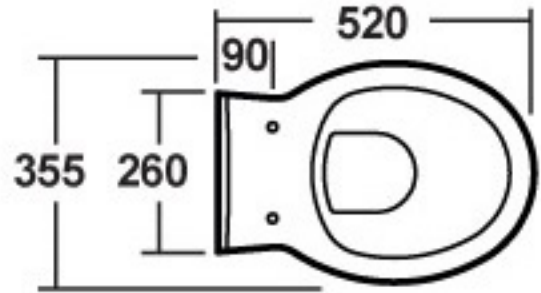
Barcode

5055369012343

## CUSTOMER DATA SHEET - CERAMICS

SALES CODE: BTW002

DESCRIPTION: Standard Toilet Pan



BTW002 BTWPan

### PRODUCT DIMENSIONS

Height (mm)	Width (mm)	Depth (mm)	Nett Wgt Kg
410	355	520	17

### PACKAGING DIMENSIONS

Height (mm)	Width (mm)	Depth (mm)	Gross Wgt Kg
420	395	555	19

### PACKAGING DATA

Box Colour	Brown Cardboard Box - Printed		
Box Qty	1	Label Colour	Not Applicable
Label Size	100 x 50	Label Qty	2

### OUTER BOX DIMENSIONS (If Applicable)

Height (mm)	Width (mm)	Depth (mm)	Gross Wgt Kg
Barcode		5055369003730	

### PRODUCT DETAILS

Country of Origin	China
Fitting Instruction	No

Certification	CE	Yes	WRAS	N/A	WRAS Number	N/A
Product Material	Vitreous China					

### PANS/BIDETS

Trap Style	P Trap	Includes Seat	No
------------	--------	---------------	----

### CISTERNS

Fittings	Not Applicable	Operating Type	Not Applicable
Lever Type	Not Applicable		

### SEAT

Type	Round	Function	Not Applicable
Material	Not Applicable		
Hinge Type	Top & Bottom Fix	Hinge Material	Not Applicable

### BASINS

Tap Hole	Not Applicable	Chain Stay Hole	Not Applicable
Template	Not Applicable	Waste Type Req'd	Not Applicable
Overflow Incl.	Not Applicable	Overflow Cover	Not Applicable
Inner Bowl Depth	N/A		

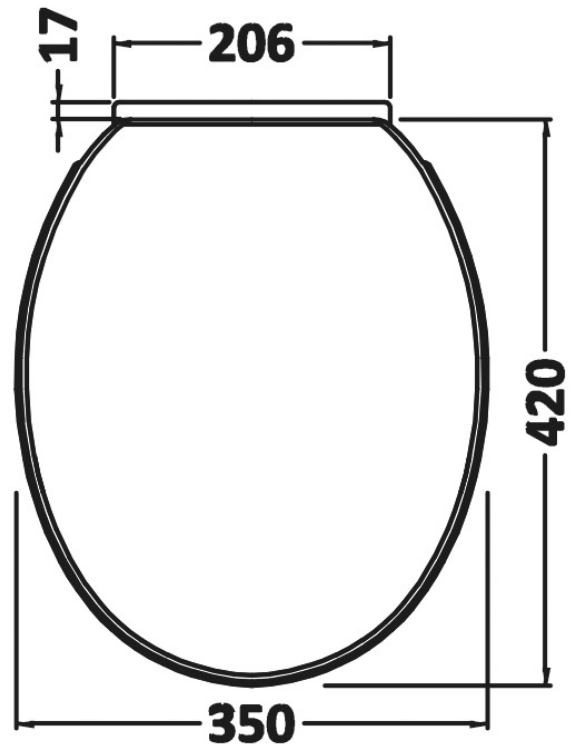
### GENERAL

Fixing Supplied	No
-----------------	----

## CUSTOMER DATA SHEET - TOILET SEATS

SALES CODE: NTS010

DESCRIPTION: Standard Soft Close Seat



### PRODUCT DIMENSIONS

Length (mm)	Width (mm)	Height(mm)	Nett Wgt Kg
420	350	50	1.4

### PACKAGING DATA

Box Colour	White Cardboard Box - Printed		
Box Qty	1	Label Colour	Not Applicable
Label Size	100 x 50	Label Qty	

### PACKAGING DIMENSIONS

Length (mm)	Width (mm)	Height (mm)	Gross Wgt Kg
440	350	70	1.42

### OUTER BOX DIMENSIONS (If Applicable)

Length (mm)	Width (mm)	Height (mm)	Gross Wgt Kg
480	330	400	14
Barcode	5055369001446		

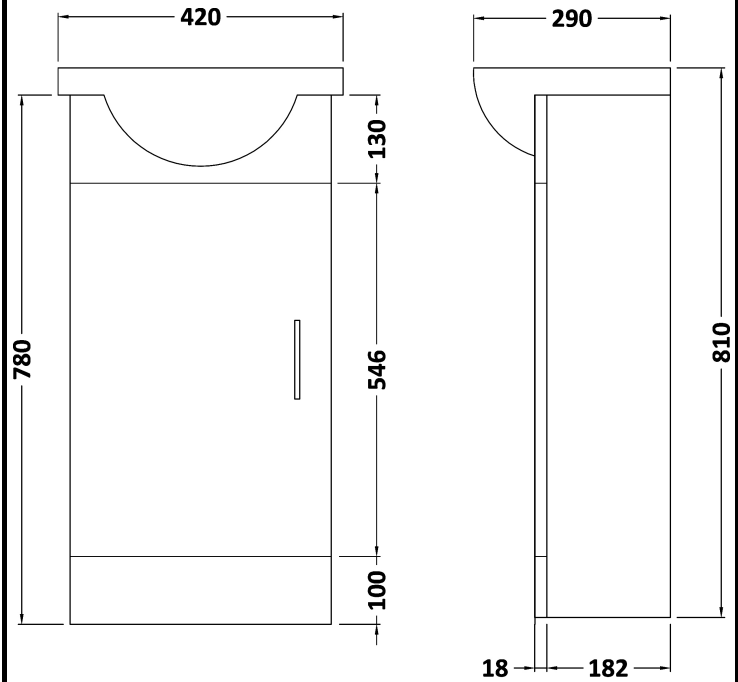
### PRODUCT DETAILS

Country of Origin	China	CE Certification	Not Applicable
Fitting Instruction	Yes	Colour/Finish	White
Product Material	Polypropylene	Fixing Method	Bottom Fix
Seat Type	Round	Seat Function	Soft Close
Hinge Centres (Min)	120	Hinge Material	Polypropylene
Hinge Centres (Max)	180		

## CUSTOMER DATA SHEET - FURNITURE

SALES CODE: NVS100

DESCRIPTION: 400 Gloss White Unit & Basin



### PRODUCT DIMENSIONS

Height (mm)	Width (mm)	Depth (mm)	Nett Wgt Kg
780	400	200	17.14

### PACKAGING DIMENSIONS

Height (mm)	Width (mm)	Depth (mm)	Gross Wgt Kg
810	230	400	17.14

### PACKAGING DATA

Box Colour	Brown Cardboard Box - Printed		
Box Qty	1	Label Colour	Not Applicable
Label Size	100 x 50	Label Qty	0

### OUTER BOX DIMENSIONS (If Applicable)

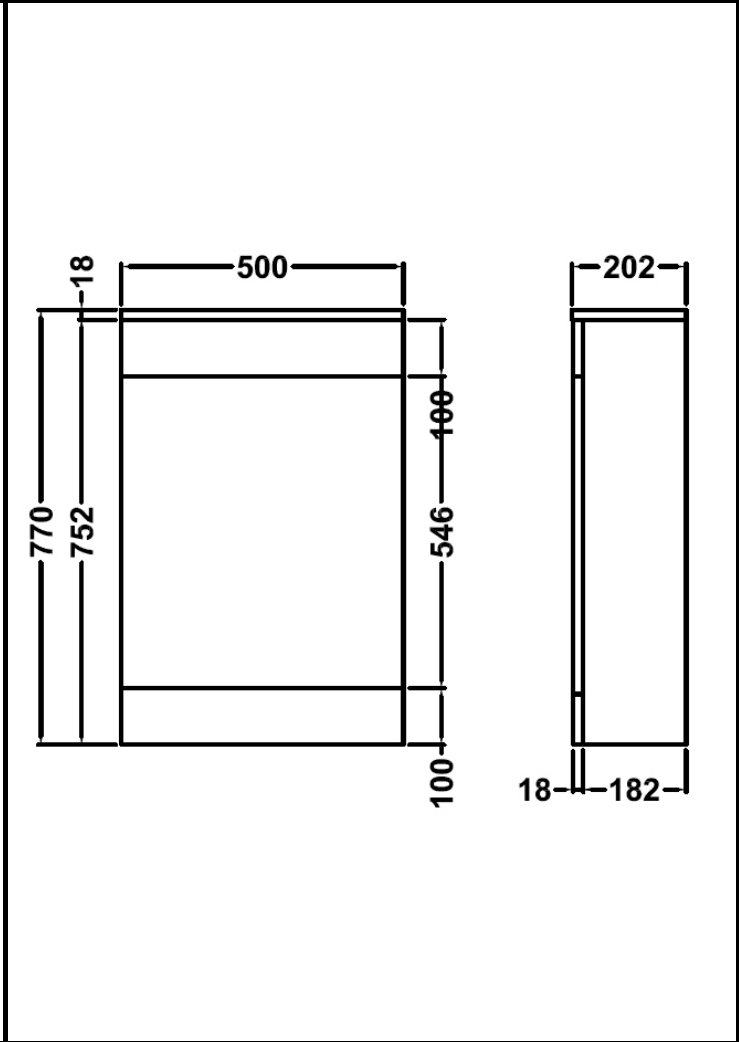
Height (mm)	Width (mm)	Depth (mm)	Gross Wgt Kg
Barcode	5055369001880		

### PRODUCT DETAILS

Country of Origin	China			
Fitting Instruction	Yes			
Constr' Method	Cam & Wood Dowel			
Cabinet Finish	MFC Painted Gloss			
Cab Thickness (mm)	16			
Drawer Included	No			
No of Shelves	1			
Hinge Inc'	Yes			
Fixings Inc'	No			
Handle Inc'	Yes			
Handle Type	Bar			
Certification	FSC	Yes	CE	No
Colour	Gloss White			
Constr' Type	Rigid			
Fascia Finish	Mdf Painted Gloss			
Fas Thickness (mm)	18			
Drawer Type	Not Applicable			
Hinge Type	95 Degree Clip-On Soft Close			
Adjustable Legs	No			
Handle Style	Modern			
Waste Shroud	No			

## CUSTOMER DATA SHEET - FURNITURE

<b>SALES CODE:</b> NVS142	<b>DESCRIPTION:</b> Gloss White 500 Wc Unit Inc Conc Cistern
---------------------------	--



PRODUCT DIMENSIONS			
Height (mm)	Width (mm)	Depth (mm)	Nett Wgt Kg
770	500	202	15.28

PACKAGING DIMENSIONS			
Height (mm)	Width (mm)	Depth (mm)	Gross Wgt Kg
230	525	815	15.28

PACKAGING DATA			
Box Colour	Brown Cardboard Box - Printed		
Box Qty	1	Label Colour	Not Applicable
Label Size	100 x 50	Label Qty	0

OUTER BOX DIMENSIONS (If Applicable)			
Height (mm)	Width (mm)	Depth (mm)	Gross Wgt Kg
Barcode	5055369002580		

PRODUCT DETAILS				
Country of Origin	China			
Fitting Instruction	Yes			
Constr' Method	Cam & Wood Dowel			
Cabinet Finish	MFC Painted Gloss			
Cab Thickness (mm)	16			
Drawer Included	No			
No of Shelves	0			
Hinge Inc'	No			
Fixings Inc'	No			
Handle Inc'	No			
Handle Type	Not Applicable			
Certification	FSC	Yes	CE	No
Colour	Gloss White			
Constr' Type	Rigid			
Fascia Finish	Mdf Painted Gloss			
Fas Thickness (mm)	18			
Drawer Type	Not Applicable			
Hinge Type	Not Applicable			
Adjustable Legs	No			
Handle Style	Not Applicable			
Waste Shroud	No			