

SOH BASNW C

SOHO Tap Range Soho Basin Mixer without Waste Chrome



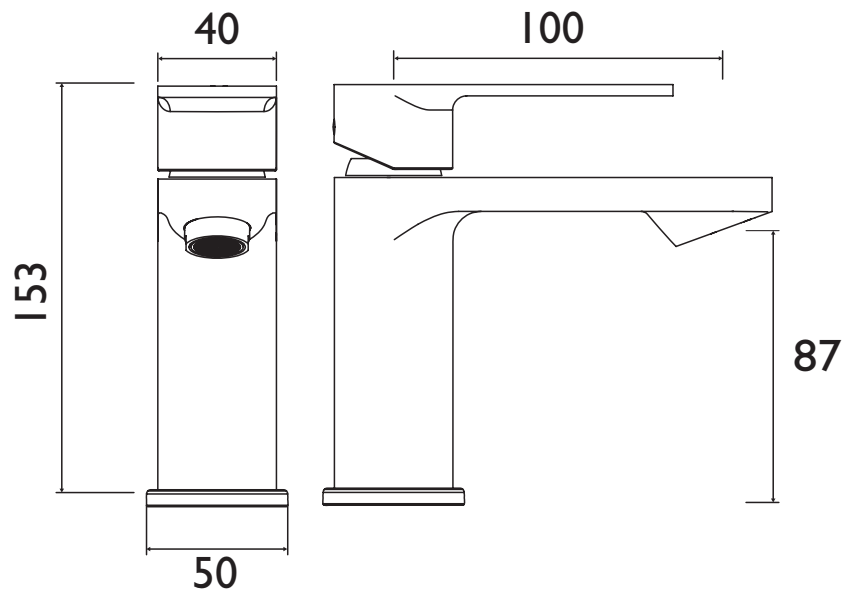
Features:

- Metal Backnuts
- Ceramic Cartridge
- Flexi Tails

Specification

Style:	Contemporary
Product Type:	Bathroom Taps
Finish/Colour:	Chrome Plated
Main Construction Material:	Brass
Mount Type:	Deck Mounted
Handle Type:	Lever
Connection Inlet:	1/2" BSP Female
Connection Outlet:	N/A
Number of Tap Holes:	1
Valve/Cartridge Type:	35mm Cartridge
Plumbing System Requirements:	All Plumbing Systems
Working Pressure Range:	0.2-5.0
Maximum Hot Water Temperature: °C	65
Maximum Dynamic Pressure: (bar)	5
Maximum Static Pressure: (bar)	10
Flow Type:	Single
Flow Rate: (l/min @ 3 bar)	18.9
Isolation Included:	No

Dimensions (measurements in mm)



For more products, visit our website:
<http://www.bristan.com>



Flow Rates (l/min)

System Pressure (bar)	0.2	0.5	1	2	3	5
SOH BASNW C	4.1	7.3	10.6	15.3	18.9	24.5

TECHNICAL DATA SHEET



BRISTAN

TAPS & SHOWERS

D1