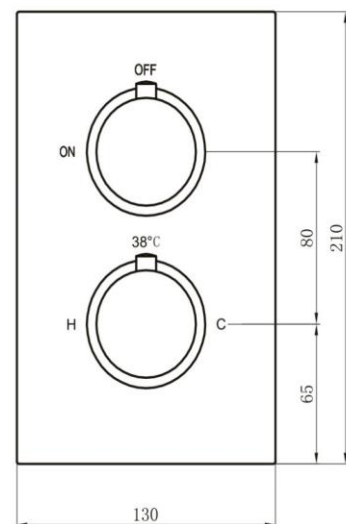
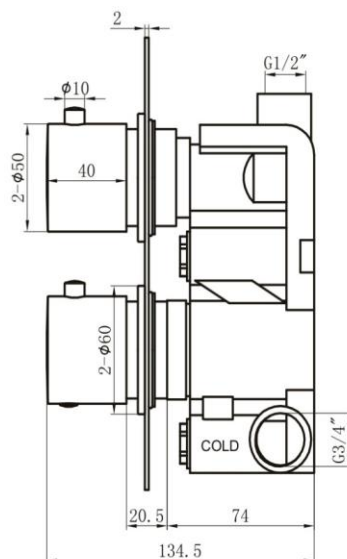


TECHNICAL DATA SHEET

EMOTION ROUND CONCEALED THERMOSTATIC SHOWER MIXER (1 OUTLET)

Product Code	TBTS-06-2144
Construction	Brass Body (CuZn38b18)
Finishes	Chrome plated to BS EN 248
Product Type	Contemporary
Water Pressure	Min.0.5 bar, Max. 7.0 bar
Plumbing Systems	Suitable for all plumbing systems, preferably balanced.Min. supply pressure differential requirement is 5:1
Standards	Complies with BSEN 1111
Certification	Manufactured to comply with TMV2
Cartridge	Thermostatic
Fitting	Inlet: 3/4" Female Outlet: 1/2" Female
Packaging Guarantee	34x25x32cm / carton (4pcs/carton)
Additional Information	15 years (3 years on working parts/decorative finish) 1. Temperature: Pre-set 38°C, with push button override to 48°C. 2. Automatic shut off in the event of hot or cold water supply failure. 3. Easy accessible check valve



Flow Rates (Litres per minute)

System Pressure	0.1 Bar	0.2 Bar	0.3 Bar	0.5 Bar	1.0 Bar	1.5 Bar	2.0 Bar	3.0 Bar	4.0 Bar	5.0 Bar
		7.3		10.5	14.5	18.0	21.0	26.0	-	-

The information contained on this page was correct at date of issue. Fitting dimensions are provided as a guide only. Some variation may occur due to manufacturing tolerances. We pursue a policy of continuing improvement in design and performance of our products and so reserve the right to change specifications without prior notice.