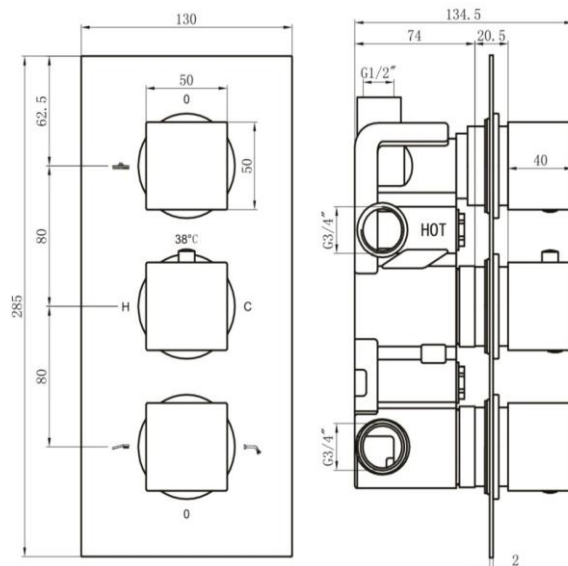
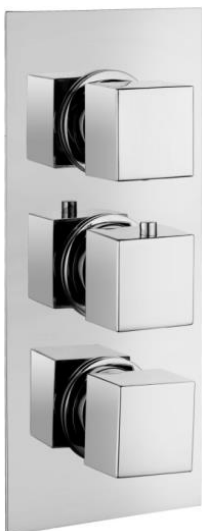
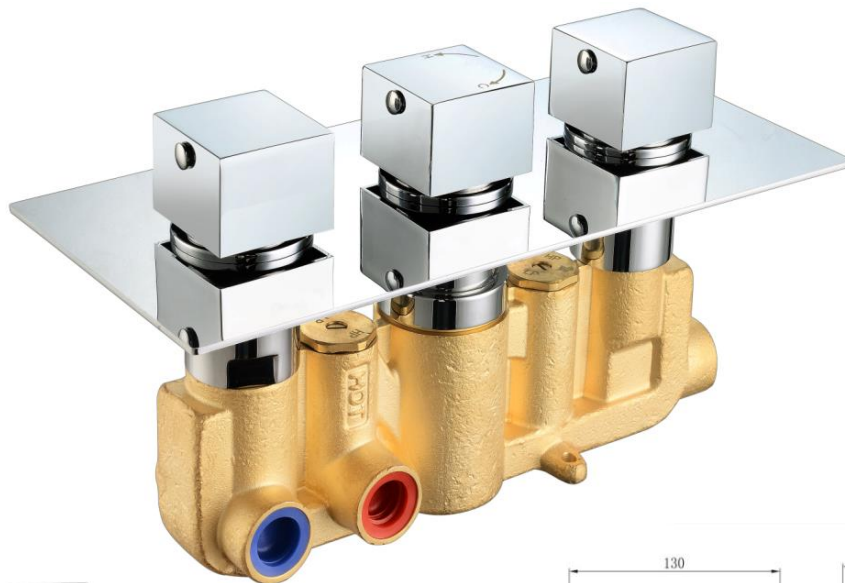


# TECHNICAL DATA SHEET

## EMOTION SQUARE CONCEALED THERMOSTATIC BATH/SHOWER MIXER (3 OUTLET)

|                               |   |
|-------------------------------|---|
| <b>Product Code</b>           | TBTS-07-2344  |
| <b>Construction</b>           | Brass Body (CuZn38b18)  |
| <b>Finishes</b>               | Chrome plated to BS EN 248  |
| <b>Product Type</b>           | Contemporary  |
| <b>Water Pressure</b>         | Min.0.5 bar, Max. 7.0 bar   |
| <b>Plumbing Systems</b>       | Suitable for all plumbing systems, preferably balanced. Min. supply pressure differential requirement is 5:1  |
| <b>Standards</b>              | Complies with BSEN 1111   |
| <b>Certification</b>          | Manufactured to comply with TMV2  |
| <b>Cartridge</b>              | Thermostatic  |
| <b>Fitting</b>                | Inlet: 3/4" Female<br>Outlet: One 1/2" Female and two 3/4" Female   |
| <b>Packaging</b>              | 42x28.5x32cm / carton (4pcs/carton)   |
| <b>Guarantee</b>              | 15 years (3 years on working parts/decorative finish)   |
| <b>Additional Information</b> | <ol style="list-style-type: none"> <li>1. Temperature: Pre-set 38°C, with push button override to 48°C.</li> <li>2. Automatic shut off in the event of hot or cold water supply failure.</li> <li>3. Easy accessible check valve</li> </ol> |



### Flow Rates (Litres per minute)

| System Pressure | 0.1 Bar | 0.2 Bar | 0.3 Bar | 0.5 Bar | 1.0 Bar | 1.5 Bar | 2.0 Bar | 3.0 Bar | 4.0 Bar | 5.0 Bar |
|-----------------|---------|---------|---------|---------|---------|---------|---------|---------|---------|---------|
|                 |         | 7.5     |         | 10.7    | 15.0    | 18.5    | 21.5    | 27.0    | -       | -       |

The information contained on this page was correct at date of issue. Fitting dimensions are provided as a guide only. Some variation may occur due to manufacturing tolerances. We pursue a policy of continuing improvement in design and performance of our products and so reserve the right to change specifications without prior notice.