



Features:

- Supplied with metal handles
- Supplied with metal fixing nut
- Chrome plated to BS EN 248
- Product supplied with a 6 litre per minute flow regulator which can be fitted to the spout outlet to reduce water consumption and increase water efficiency

Product Certifications:

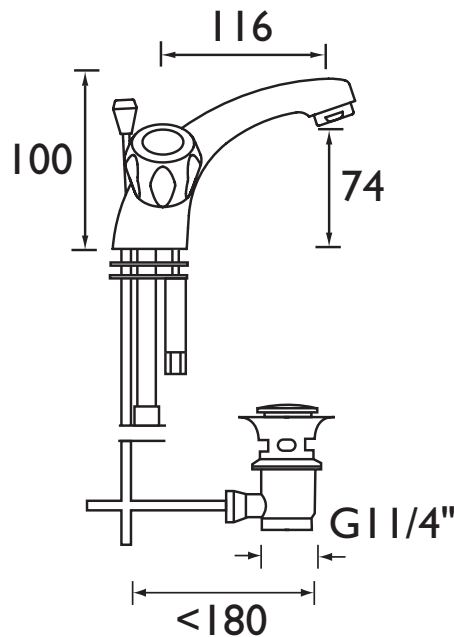
For more products, visit our website:



Specification

Style:	Contemporary
Product Type:	Bathroom Taps
Finish/Colour:	Chrome
Main Construction Material:	Brass
Mount Type:	Deck
Handle Type:	Handwheel
Connection Inlet:	1/2" BSP Flexible Tails
Number of Tap Holes Required:	1
Valve/Cartridge Type:	40mm Ceramic Cartridge
Plumbing System Suitability	All - Ideally balanced
Working Pressure Range:	Min 0.2 Bar, Max 7.0 Bar
Maximum Hot Water Temperature: °c	60
Maximum Dynamic Pressure: (bar)	7
Maximum Static Pressure: (bar)	10
Flow Type:	Single Flow
Flow Rate: (l/min @ 3 bar)	34.9
Connection Outlet:	
Isolation Included:	No

Dimensions (measurements in mm)



Flow Rates (l/min)

System Pressure (bar)	0.2	0.5	1	2	3	5
With Flow Regulators			6	6	6	6
Without Flow Regulators	9.1	12.7	20	28.5	34.9	45.1

**TECHNICAL
DATA
SHEET**



BRISTAN
TAPS & SHOWERS

D3