

## CLUB Bath Filler

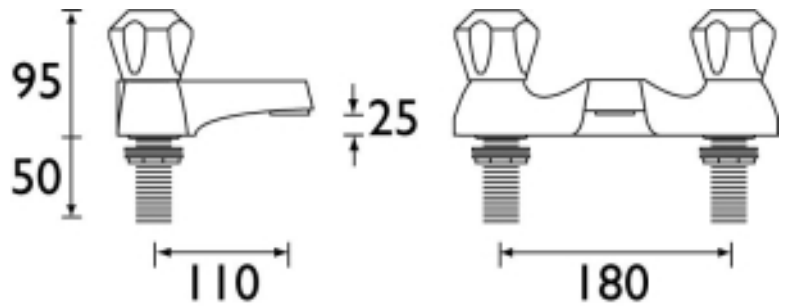
### Product Specification

<b>Product Codes &amp; Finishes:</b>	VAC BF C MT (Chrome) VAC BF C NH (Chrome, No Heads)
<b>Product Type:</b>	Contemporary
<b>Construction:</b>	Body is of brass construction and is designed to conform to BS EN 200
<b>Valve Type:</b>	1/2" standard valves
<b>Supply:</b>	Suitable for all plumbing systems, preferably balanced
<b>Inlet Connections:</b>	3/4" BSP
<b>Water Pressure:</b>	Min 0.2 bar Max. 7.0 bar
<b>Dimensions for Fitting:</b>	180mm inlet centres



### Additional Information

- Supplied with metal heads.
- Supplied with metal backnuts.
- Chrome plated to BS EN 248.
- VAC BF C NH – supplied with no heads.



### Flow Rates (litres per minute)

System Pressure	0.2bar	0.4bar	1.0bar	2.0bar	3.0bar	5.0bar
Bath Filler	28.2	40.3	62.9	89.0	109.0	140.7

### Compliance/Approvals

WRAS Approval No: 1412017

**Technical Advice:** For further information please call 0844 7016273 or email [customer@bristan.com](mailto:customer@bristan.com)

**Guarantee:** 5 years covering manufacturing faults.