

TECHNICAL DATA SHEET



CLUB

High Neck Pillar Taps

Product Specification

Product Codes & Finish: VAC HNK C MT (Chrome)
VAC HNK C NH (Chrome, No Heads)

Product Type: Contemporary

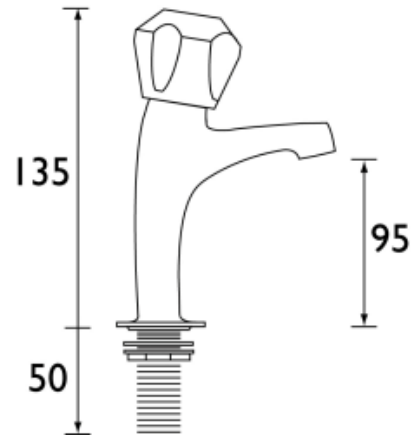
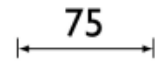
Construction: Tap bodies are of all brass construction

Valve Type: 1/2" Standard valve

Supply: Suitable for all plumbing systems, preferably balanced

Inlet Connections: 1/2" BSP

Water Pressure: Min 0.2 bar Max. 7.0 bar



Additional Information

- Supplied with metal heads
- Supplied with metal backnuts
- Chrome plated to BS EN 248
- VAC HNK C NH – (supplied with no heads)

Flow Rates (litres per minute)

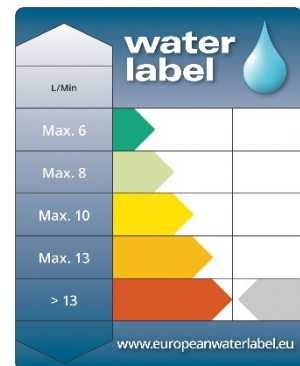
System Pressure	0.2bar	0.4bar	1.0bar	2.0bar	3.0bar	5.0bar
High Neck Pillar Taps	13.6	19.6	31.0	43.5	53.2	68.7

Compliance/Approvals

WRAS Approval No: 1405121

Technical Advice: For further information please call 0844 7016273
or email customercare@bristan.com

Guarantee: 5 years covering manufacturing faults.



Bristan, Birch Coppice Business Park, Dordon, Tamworth, B78 1SG
Telephone: 0844 701 6274 Facsimile: 0844 701 6275
Web Site: www.bristan.com Email: enquire@bristan.com



The information contained on this page was correct at date of issue. Fitting dimensions are provided as a guide only. Some variation may occur due to manufacturing tolerances. Bristan pursues a policy of continuing improvement in design and performance of its products and so reserves the right to change specifications without prior notice.