

VAX 1/2 C

X-HEAD Tap Range Cross Head Basin Taps Chrome



Features:

- Supplied with metal heads
- Supplied with metal back nuts
- Chrome plated to BS EN 248

Product Certifications:

WRAS Certificate No: 1409038



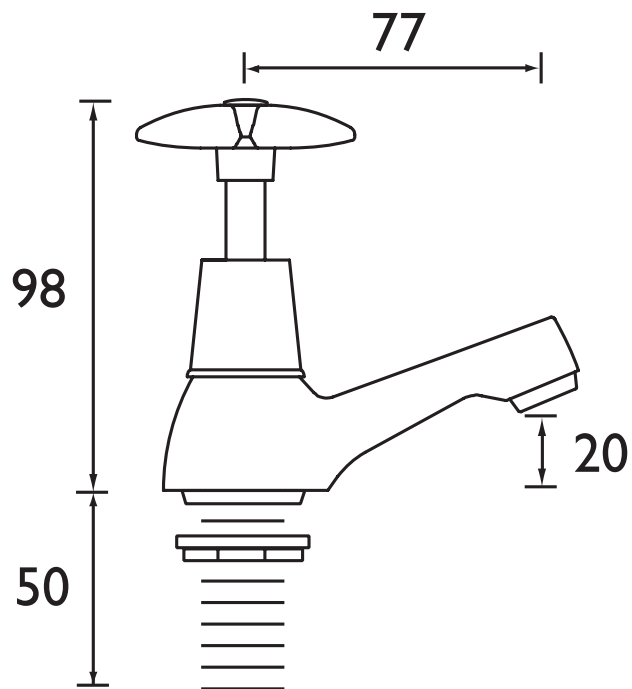
Also available in the X-HEAD Range is:



Specification

Style:	Contemporary
Product Type:	Bathroom Taps
Finish/Colour:	Chrome
Main Construction Material:	Brass
Mount Type:	Deck
Handle Type:	Cross Head
Connection Inlet:	1/2" BSP
Number of Tap Holes Required:	2
Valve/Cartridge Type:	1/2" Standard Valves
Plumbing System Suitability	All - Ideally balanced
Working Pressure Range:	Min 0.2 bar, Max. 7.0 bar
Maximum Hot Water Temperature: °c	65
Maximum Dynamic Pressure: (bar)	7
Maximum Static Pressure: (bar)	10
Flow Type:	Single Flow
Flow Rate: (l/min @ 3 bar)	62.6
Connection Outlet:	
Isolation Included:	No

Dimensions (measurements in mm)



Flow Rates (l/min)

System Pressure (bar)	0.2	0.5	1	2	3	5
VAX 1/2 C (Cold Supply)	14	25.6	31	44.3	62.6	70

TECHNICAL DATA SHEET



BRISTAN

TAPS & SHOWERS

D6