

VAX 1/2 E4 C

VALUE Tap Range 5412 Cross Top Basin Taps Eco4 Chrome



| Specification | |
|-----------------------------------|-----------------------------|
| Style: | Contemporary |
| Product Type: | Bathroom taps |
| Finish/Colour: | Chrome |
| Main Construction Material: | Brass |
| Mount Type: | Deck |
| Handle Type: | Cross Head |
| Connection Inlet: | 1/2" BSP |
| Number of Tap Holes Required: | 2 |
| Valve/Cartridge Type: | 1/2" Standard Valve |
| Plumbing System Suitability | All |
| Working Pressure Range: | Min. 0.2 bar - Max. 5.0 bar |
| Maximum Hot Water Temperature: °c | 65 |
| Maximum Dynamic Pressure: (bar) | 5 |
| Maximum Static Pressure: (bar) | 10 |
| Flow Type: | Single flow |
| Flow Rate: (l/min @ 3 bar) | 4 |
| Connection Outlet: | Open |
| Isolation Included: | No |

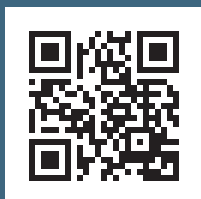
Features:

- Supplied with metal handles
- Supplied with metal backnuts
- Product supplied with either 2 x 4 or 2 x 6 litre per minute flow regulators which can be inserted into the threaded tail to reduce water consumption and increase water efficiency
- Chrome plated to BS EN 248

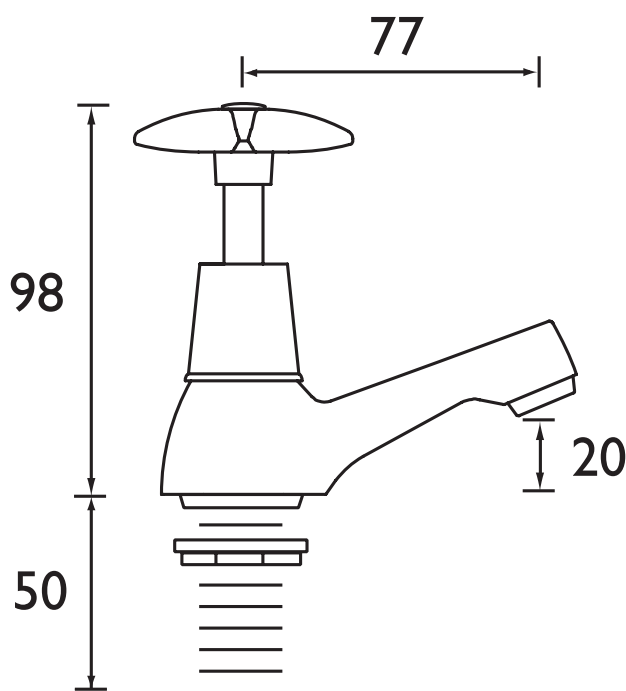
Product Certifications:



For more products, visit our website:



Dimensions (measurements in mm)



Flow Rates (l/min)

| System Pressure (bar) | 0.2 | 0.5 | 1 | 2 | 3 | 5 |
|-----------------------|-----|-----|-----|-----|-----|-----|
| VAX 1/2 E4 C | -- | -- | 4.0 | 4.0 | 4.0 | 4.0 |

TECHNICAL
DATA
SHEET



BRISTAN
TAPS & SHOWERS

D2