

VAL 1/2 E6 C CD

VALUE Tap Range Lever Basin Taps Eco6 With Ceramic Disc



Specification	
Style:	Contemporary
Product Type:	BathroomTaps
Finish/Colour:	Chrome
Main Construction Material:	Brass
Mount Type:	Deck
Handle Type:	Paddle
Connection Inlet:	1/2" BSP
Number of Tap Holes Required:	2
Valve/Cartridge Type:	1/2" Ceramic Disc Valve
Plumbing System Suitability	All
Working Pressure Range:	Min. 0.2 bar - Max. 5.0 bar
Maximum Hot Water Temperature: °c	65
Maximum Dynamic Pressure: (bar)	5
Maximum Static Pressure: (bar)	10
Flow Type:	Single Flow
Flow Rate: (l/min @ 3 bar)	6.0
Connection Outlet:	Open
Isolation Included:	No

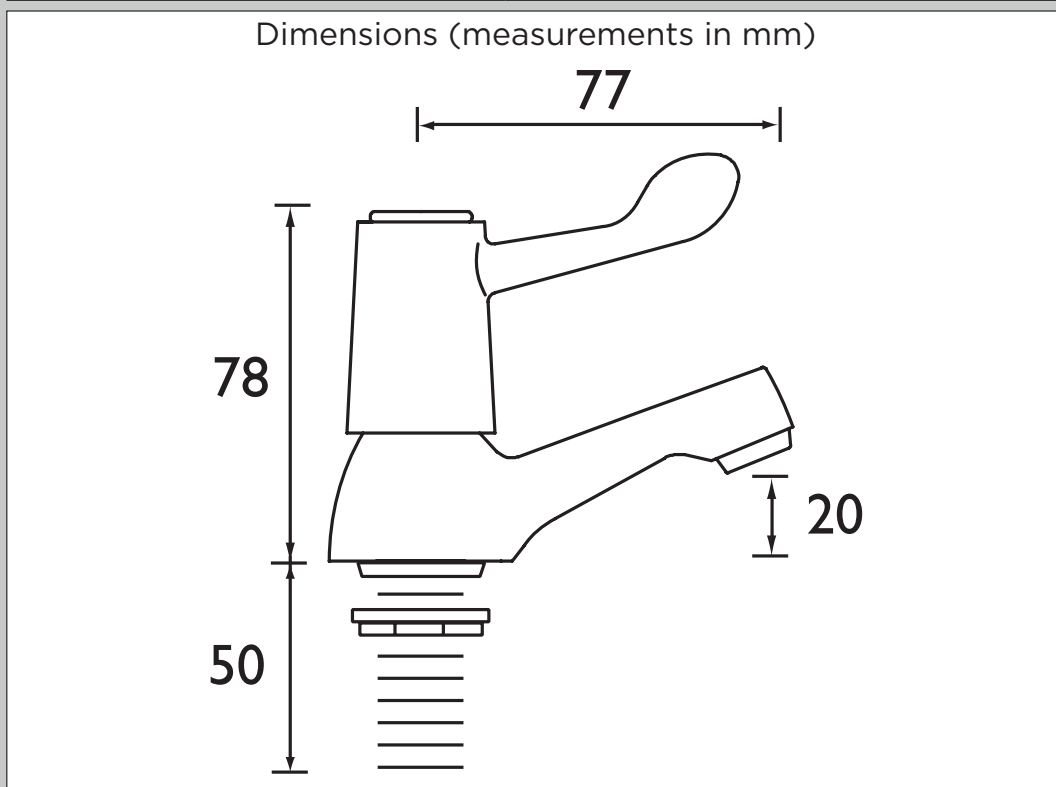
Features:

- Supplied with 3ø (76mm) metal lever handles
- Supplied with metal backnuts
- Chrome plated to BS EN 248
- Product supplied with either 2 x 4 or 2 x 6 litre per minute flow regulators which can be inserted into the threaded tail to reduce water consumption and increase water efficiency

Product Certifications:



For more products, visit our website:



Flow Rates (l/min)						
System Pressure (bar)	0.2	0.5	1	2	3	5
VAL 1/2 E6 C CD	--	--	6.0	6.0	6.0	6.0

TECHNICAL
DATA
SHEET



BRISTAN
TAPS & SHOWERS

D2