

# VAX BIB C

## VALUE Tap Range X Head Bib Taps Chrome



### Features:

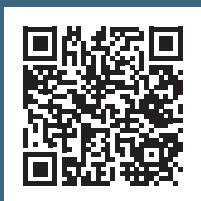
- Supplied with metal heads
- Chrome plated to BS EN 248

### Product Certifications:

Expiry: 30/04/2019  
Certificate no. 1404129



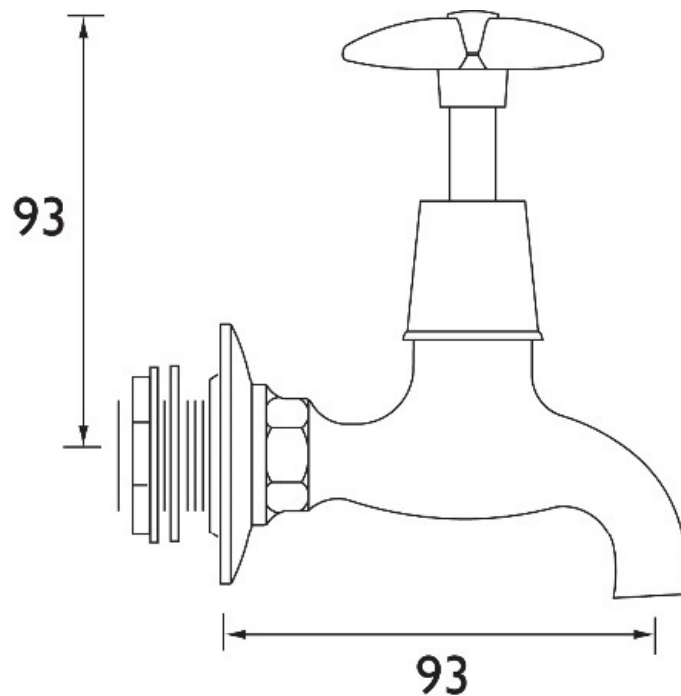
For more Kitchen Taps, visit our website:



### Specification

|                                   |                         |
|-----------------------------------|-------------------------|
| Style:                            | Contemporary            |
| Product Type:                     | Taps                    |
| Finish/Colour:                    | Chrome                  |
| Main Construction Material:       | Brass                   |
| Mount Type:                       | Deck                    |
| Handle Type:                      | Cross Head              |
| Connection Inlet:                 | 1/2" BSP                |
| Number of Tap Holes Required:     | 2                       |
| Valve/Cartridge Type:             | Manual                  |
| Plumbing System Suitability       | All - Ideally balanced  |
| Working Pressure Range:           | Min 0.2 bar Max 5.0 bar |
| Maximum Hot Water Temperature: °c | 65                      |
| Maximum Dynamic Pressure: (bar)   | 5                       |
| Maximum Static Pressure: (bar)    | 10                      |
| Flow Type:                        | Single                  |
| Flow Rate: (l/min @ 3 bar)        | 40.7                    |
| Connection Outlet:                | N/A                     |
| Isolation Included:               | N/A                     |

### Dimensions (measurements in mm)



### Flow Rates (l/min)

| System Pressure (bar) | 0.2  | 0.5  | 1    | 2    | 3    | 5    |
|-----------------------|------|------|------|------|------|------|
| VAX BIB C             | 11.3 | 16.6 | 22.3 | 33.3 | 40.7 | 52.6 |

TECHNICAL  
DATA  
SHEET



**BRISTAN**  
TAPS & SHOWERS

D6