

VG SNK EF BN

VEGAS Tap Range Vegas Easyfit Sink Mixer Brushed Nickel



Features:

- Metal Backnuts
- Ceramic Disc
- Easyfit
-
-

Product Certifications:

WRAS Certificate No: 1611004



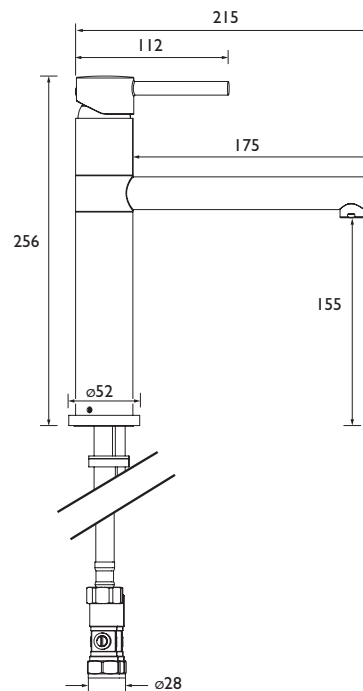
For more products, visit our website:



Specification

Style:	Contemporary
Product Type:	Kitchen Tap
Finish/Colour:	Brushed Nickel (Chrome Pictured)
Main Construction Material:	Body is of Brass Construction
Mount Type:	Deck
Handle Type:	Lever
Connection Inlet:	M10 x 400mm Flexible Tails
Number of Tap Holes Required:	1
Valve/Cartridge Type:	35mm Ceramic Cartridge
Plumbing System Suitability	All, preferably balanced
Working Pressure Range:	Min 0.5 Bar, Max 5.0 Bar
Maximum Hot Water Temperature: °c	65
Maximum Dynamic Pressure: (bar)	5
Maximum Static Pressure: (bar)	10
Flow Type:	Single Flow
Flow Rate: (l/min @ 3 bar)	18.9
Connection Outlet:	Aerator
Isolation Included:	Yes

Dimensions (measurements in mm)



Flow Rates (l/min)

System Pressure (bar)	0.5	1	2	3	4	5
VG SNK EF BN	7.72	10.91	15.43	18.9	21.8	24.4

**TECHNICAL
DATA
SHEET**



BRISTAN
TAPS & SHOWERS

D4