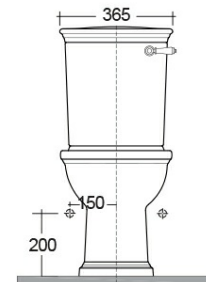
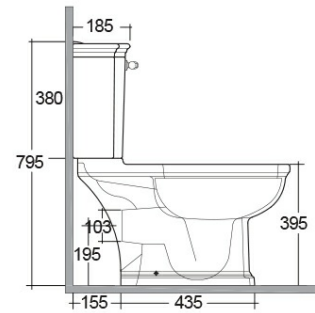
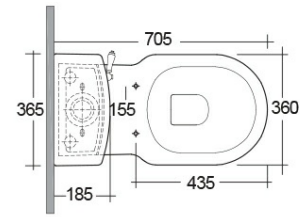


RAK-WASHINGTON - WT11AWHA - WITH LEVER

Syphonic | Close Coupled | Water Closet

RAK
CERAMICS



Technical specifications

Dimensions: 705 x 360 mm

Weight: 36 Kg

Color: Alpine White

Trap type: S Trap

Trapway type: P trap

Seat cover options: PP

Bowl shape: Oval

Suites: [RAK-WASHINGTON](#)

Code Name

WT11AWHA WASHINGTON WATER CLOSET CLOSE COUPLED P-TRAP 70CM

WT22AWHA WATER TANK WITH FRONT LIVER

Dimensions: All dimensions in mm. Tolerance of vitreous china & fireclay items: $\pm 5\%$ for below 200mm and $\pm 3\%$ for above 200mm; for all other items tolerance $\pm 1\%$. Note: Due to a continuing development program to improve design and performance, the manufacturer reserves all rights to vary specifications without prior information. Please note accessories are for photographic use only.