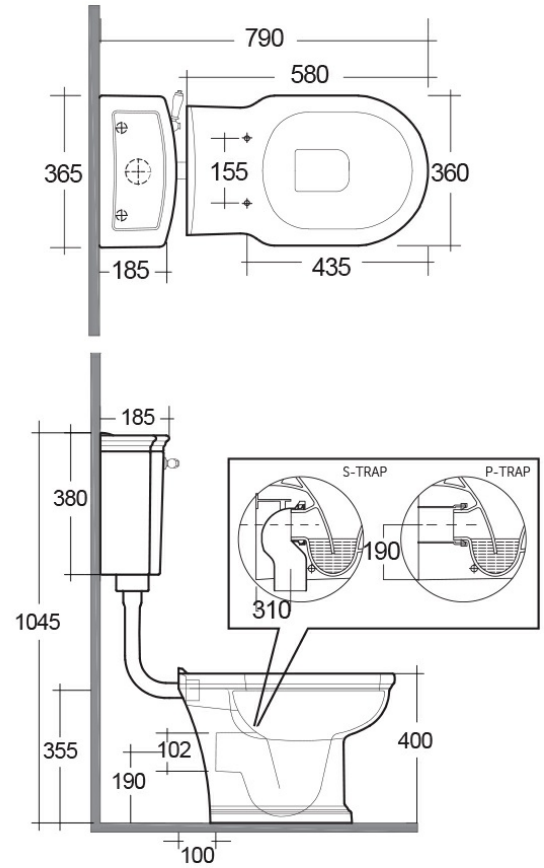


RAK-WASHINGTON - WT21AWHA - WITH FRONT LEVER

RAK
CERAMICS

Back to Wall | Water Closet



Technical specifications

Dimensions: 580 x 360 mm

Weight: 22 Kg

Color: Alpine White

Trap type: P Trap & S Trap

Trapway type: Exposed

Seat cover options: ABS & Urea

Bowl shape: Oval

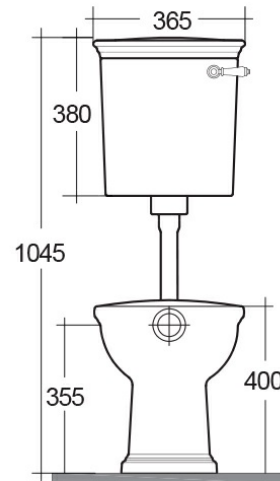
Suites: [RAK-WASHINGTON](#)

Code	Name
------	------

FTWTLOCIST	FITTINGS
------------	----------

WT21AWHA	WASHINGTON WATER CLOSET BACK OPEN P S-TRAP 58CM
----------	---

WT23AWHA	WATER TANK WITH FRONT LIVER
----------	-----------------------------



Dimensions: All dimensions in mm tolerance $\pm 5\%$ for below 200mm and $\pm 3\%$ for above 200mm.

Note: Due to a continuing development programme to improve design and performance, the manufacturer reserves all rights to vary specifications without prior information.

Please note accessories are for photographic use only.