

# PRODUCT DATA SHEET

*Burlington*<sup>®</sup>



## PRODUCT CODE

Z1205BNKL

## RANGE


Shower Waste

## DESCRIPTION

High Flow Shower Waste Brushed Nickel

CATEGORY	Brassware
WARRANTY DETAILS	2 Years
COLOUR	Brushed Nickel
FINISH APPLICATION	PVD
PRIMARY MATERIAL	ABS
PRODUCT WIDTH MM	130
PRODUCT HEIGHT MM	95
PRODUCT DEPTH MM	113
PRODUCT NET WEIGHT KG	0.39

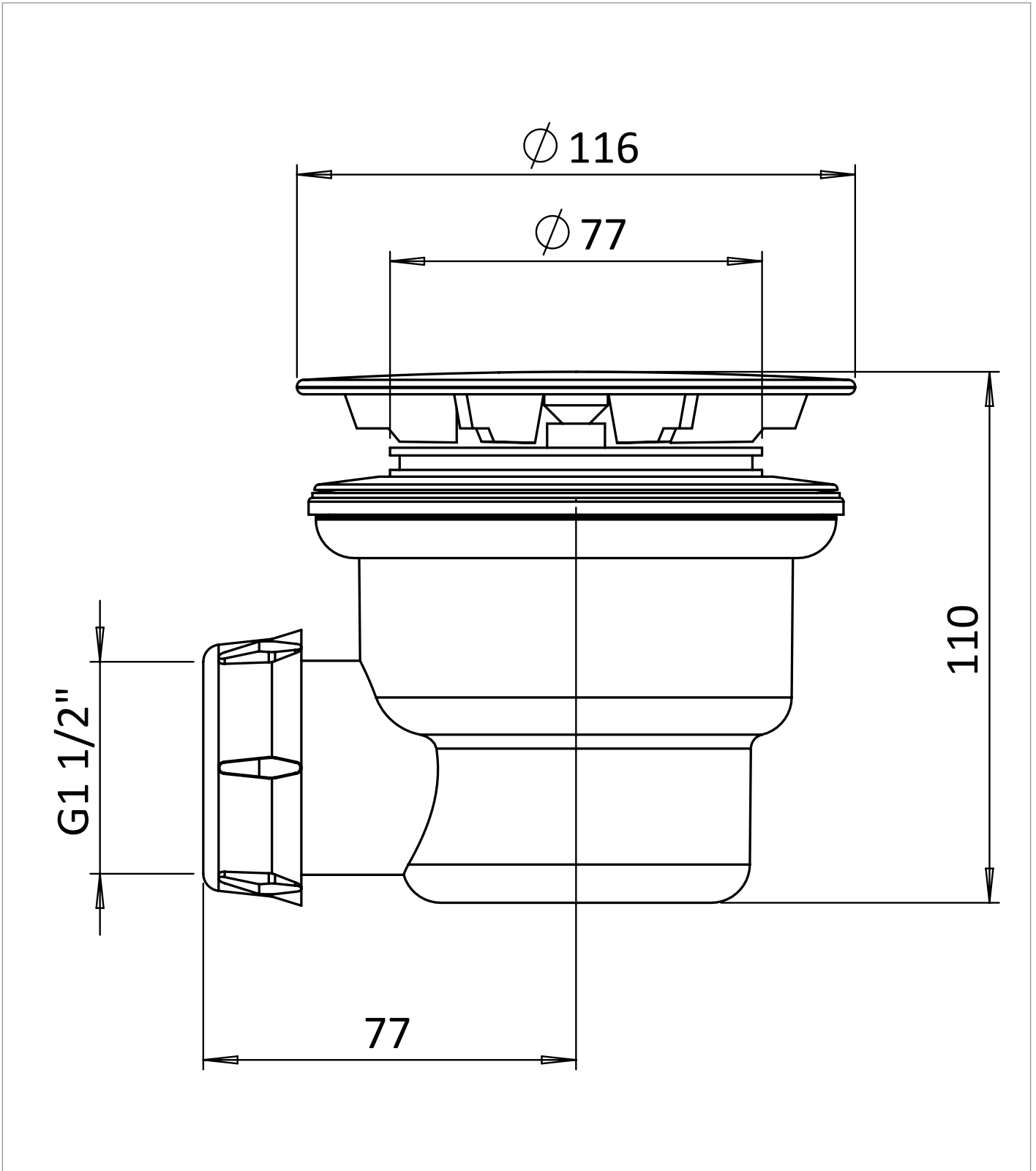
PRESSURE (BAR)	0.2	0.5	1	2	3	4	5
PRIMARY FLOWRATE							
HANDSET FLOWRATE							
MASSAGE FLOW RATE							
AIR FLOW RATE							
WIRE FLOW RATE							
WATERFALL FLOW RATE							
MIST FLOW RATE							
HANDSPRAY FLOW RATE							

 Part of the Bathroom Brands Group

## TECHNICAL DIMENSIONS

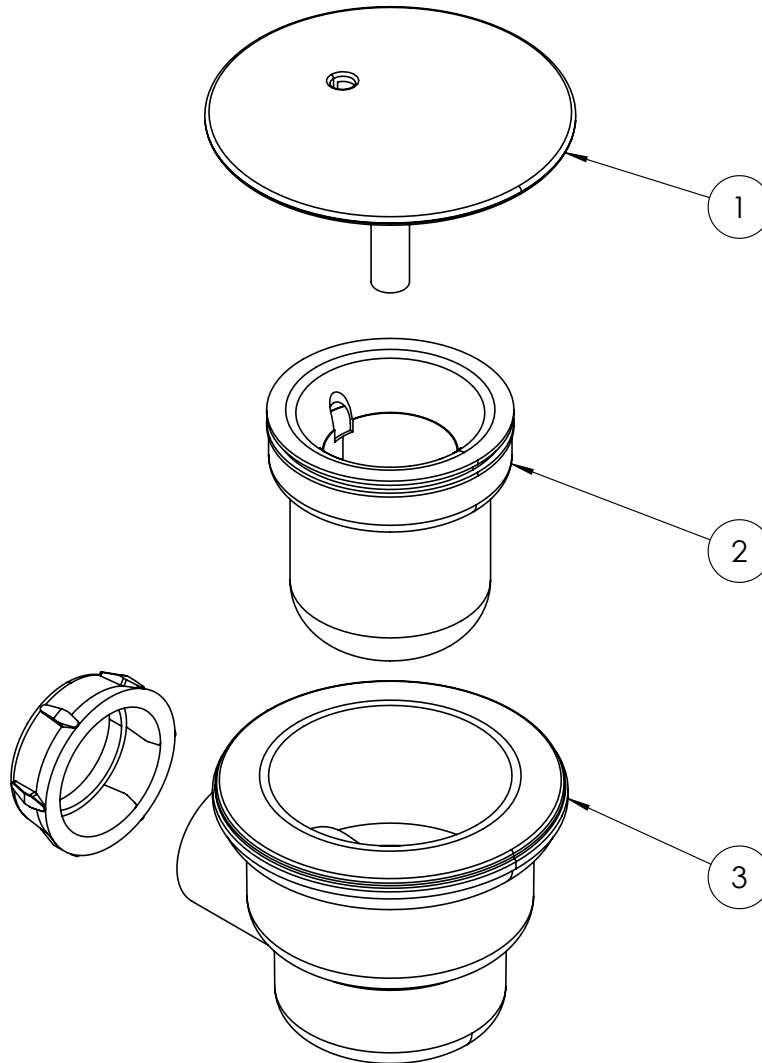
Dimensions in mm unless otherwise specified.

Tolerances (per material type) apply.



**SPARES LIST**

Only the parts labelled are available as spares.



NUMBER	PART CODE	DESCRIPTION
1	ZSP1	Chrome Domed Cover for Waste
2	SP190	Dip Tube of HFW
3	SP154	HFWC Seal, Including 3 Type of Seals
	SP978	Spare Waste Tool For Z1205
	SP1319	Clear O-Ring On The Dip Tube of Waste Z1